



System cold runner nozzle type 8NKW

Cold runner nozzle for valve gate applications

TECHNICAL DATA

8NKW

Material channel Ød 7.5 mm

Gate point Ød 0.8/1.0/1.2 mm

Nominal length of the nozzle (L) in mm

50 | 80



Contact us for further nozzle lengths!

■ available

NOTES

A cooling circuit can supply up to four nozzles connected in series with a cooling medium.

The following parts are included in the scope of delivery:

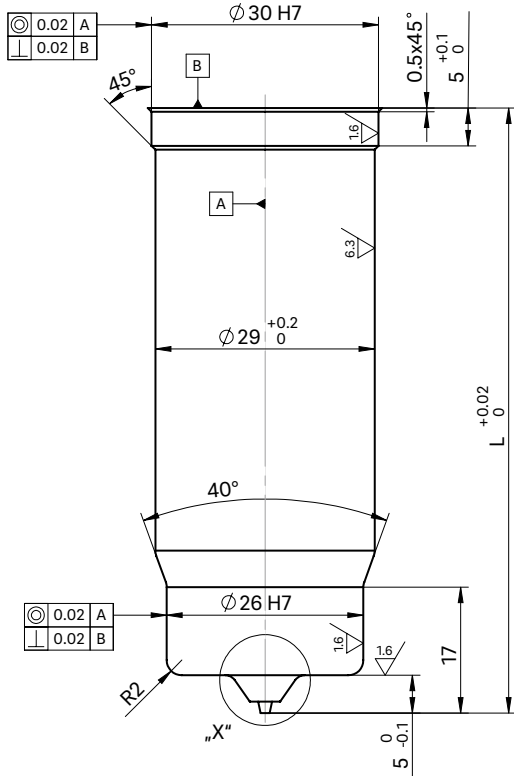
- Plug-in cooling connectors
- 2 PTFE connection hoses (1 m), flexible
 - Internal Ø 6 mm
 - External Ø 8 mm
 - min. bending radius R40



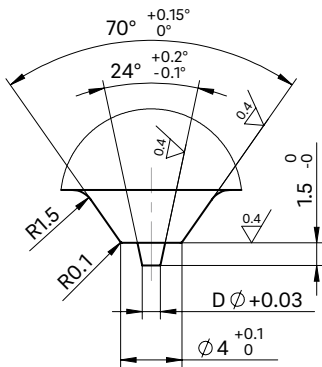
WEBCODE
62020



Prechamber design
Nozzle with needle guide



Detail X



INSTALLATION

