



# Single valve gate cold runner nozzle type 5NEW

Cold runner nozzle for valve gate applications

## TECHNICAL DATA

### 5NEW

Material channel Ød 4.8 mm

Gate point Ød 0.4/0.6/0.8/1.0 mm

Nominal length of the nozzle (L) in mm

50 | 80



Contact us for further nozzle lengths!

■ available

## NOTES

A cooling circuit can supply up to four nozzles connected in series with a cooling medium.

The following parts are included in the scope of delivery:

- Plug-in cooling connectors
- 4 PTFE connection hoses (1 m), flexible  
Internal Ø 6 mm  
External Ø 8 mm  
min. bending radius R40

For replacement purposes:

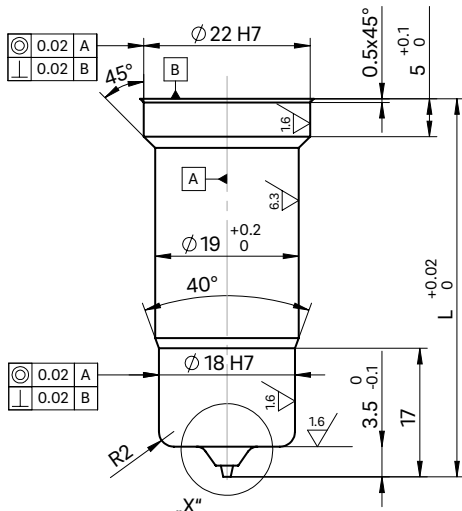
Order designation	Contents
80.774	Seal set
Z62/14 × 0.8/7.2	Plate spring



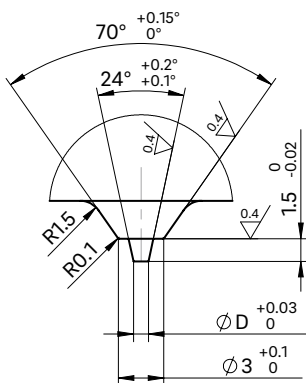
WEBCODE  
61010



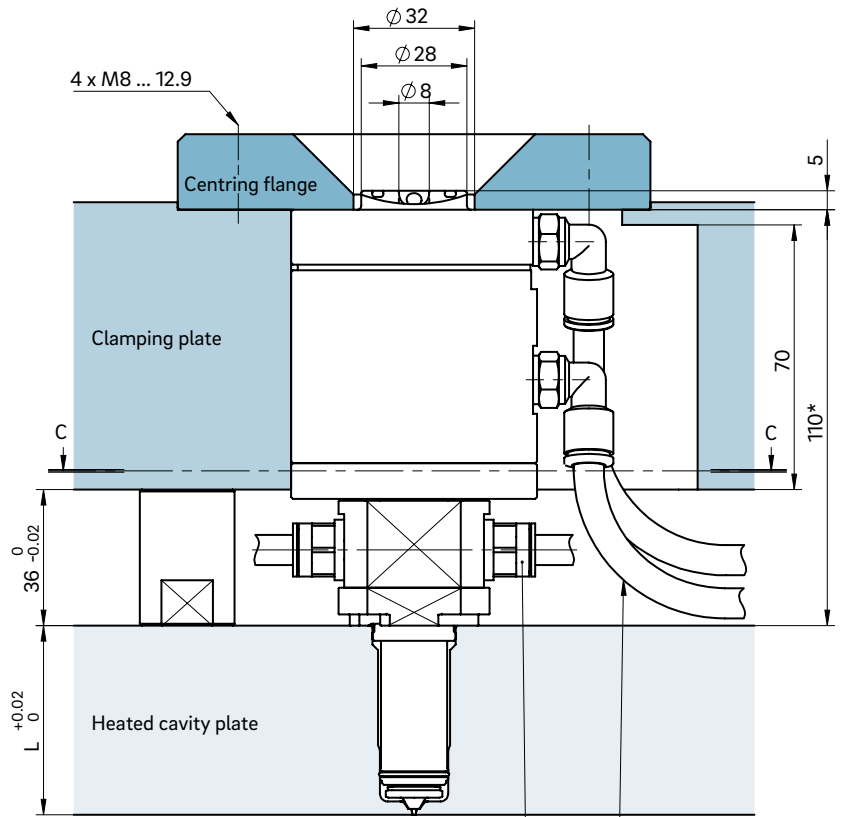
Prechamber design  
Nozzle with needle guide



Detail X



INSTALLATION

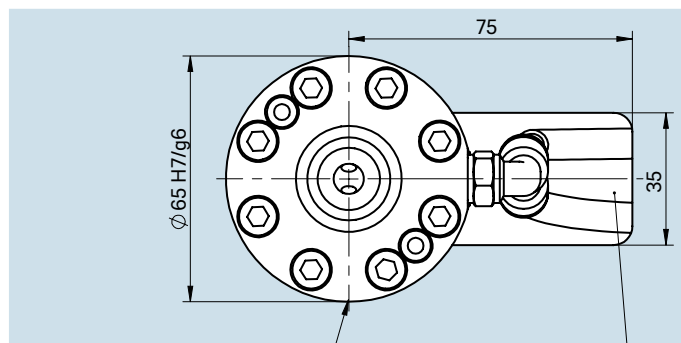


\* The nozzle must be installed with a pretension of +0.02 mm to +0.03 mm.

Plug-in cooling connector

min. bending radius R40

Cross section C-C: recess for nozzle head and connection hoses



Mechanics are in circumferential contact with the cooled clamping plate

Recess for pneumatics  
Attention: Observe bending radius!