



System cold runner nozzle type 5NKW

Cold runner nozzle for valve gate applications

TECHNICAL DATA

5NKW

Material channel Ød 4.8 mm

Gate point Ød 0.4/0.6/0.8/1.0 mm

Nominal length of the nozzle (L) in mm

50 | 80



Contact us for further nozzle lengths!

■ available

NOTES

A cooling circuit can supply up to four nozzles connected in series with a cooling medium.

The following parts are included in the scope of delivery:

- Plug-in cooling connectors
- 2 PTFE connection hoses (1 m), flexible
 - Internal Ø 6 mm
 - External Ø 8 mm
 - min. bending radius R40

For replacement purposes:

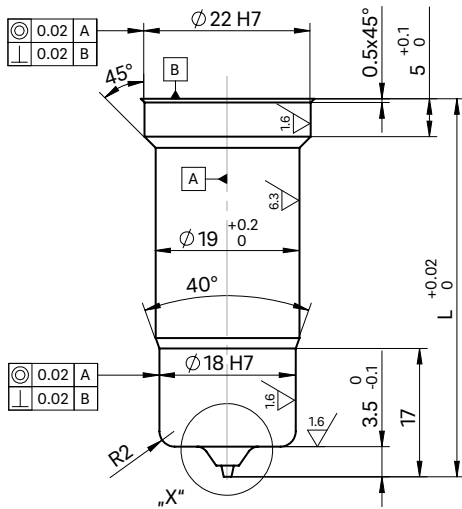
Order designation	Contents
80.774	Seal set
Z62/14 × 0.8/7.2	Plate spring



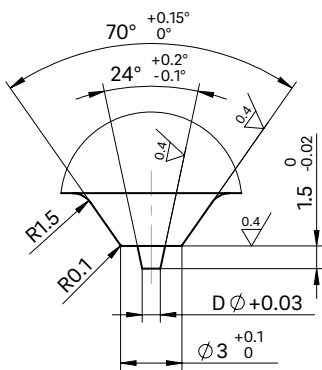
WEBCODE
62010



Prechamber design
Nozzle with needle guide



Detail X



INSTALLATION

