



OktaFlow[®] linear

Multi-drop hot runner nozzle

linear version for side gating, with heated adapter

TECHNICAL DATA

80HT

Melt channel Ød 7.5 mm

Operating voltage 230 V_{AC} *

Nominal length of the nozzle (L) in mm

50	80	120
■	■	■

OLT45

Quantity of tips 4 or 8

Operating voltage 230 V_{AC} *

AHJ8

Operating voltage 230 V_{AC} *

Adapter straight (G)/radius (R)/
angle (W)

Contact us for other nozzle lengths!

*Volts alternating current

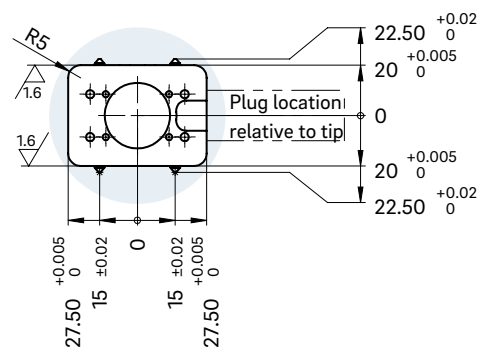
■ available

NOTE

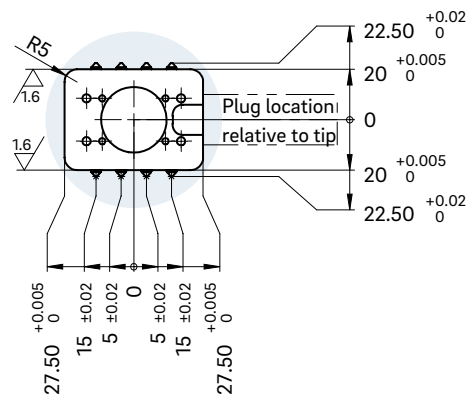
Power connector CMT and thermocouple connector CMLK are to be ordered separately.



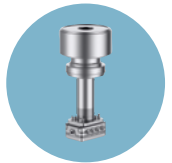
Tip distances for four tips



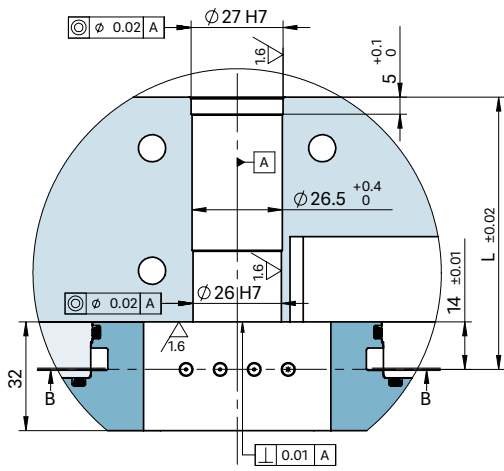
Tip distances for eight tips



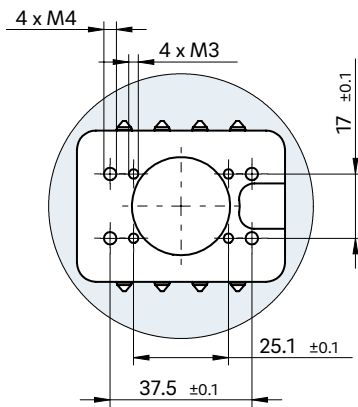
WEBCODE
41010



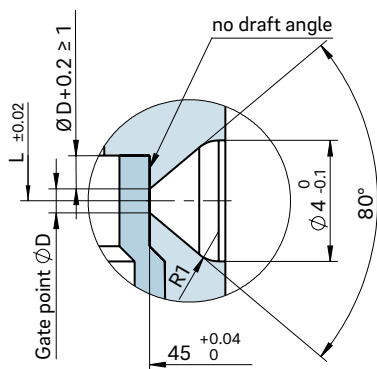
INSTALLATION



View B-B for fastening screw thread

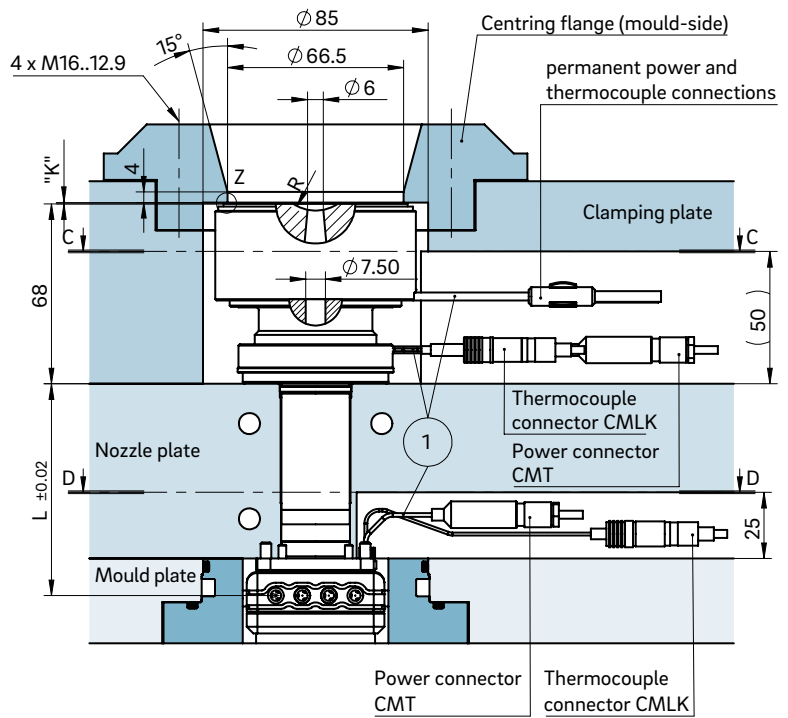


Gate point geometry

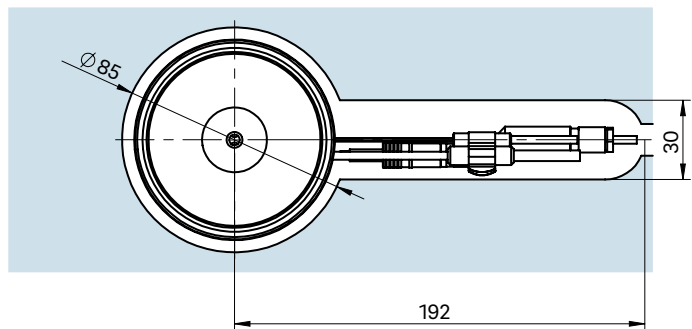


Dimension "K" required for heat expansion is to be ensured by grinding the location ring! Determine the difference between the height of the nozzle (with adapter) and the height of the structure when installed! ΔT specifies the temperature differential between the processing temperature and the mould temperature!

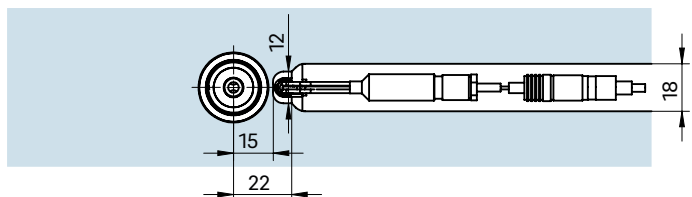
ΔT (°C)	100	150	200	250	300	350
K (mm)	0.04	0.08	0.12	0.16	0.20	0.25



View C-C cutout for nozzle head, power and thermocouple plug connections



View D-D cutout for power and thermocouple plug connections of the sub-manifold



① Power and thermocouple plug connections in this area can only be bent once; minimum radius: R8

Detail "Z"

