



## Connection piece type ASV

Connection piece linking the machine nozzle and manifold

### TECHNICAL DATA

#### ASV

**Operating voltage** 230 V<sub>AC</sub> \*

**Adapter** straight (G)/radius (R)/  
angle (W)

**Nominal length L (mm) of the connection piece/  
Delivery times:**

Type	40	50	60
ASV12	■	■	■
ASV14	■	■	■
ASV16	■	■	■

\*Volts alternating current

■ *available*

### NOTE

Specify the machine nozzle version when ordering.

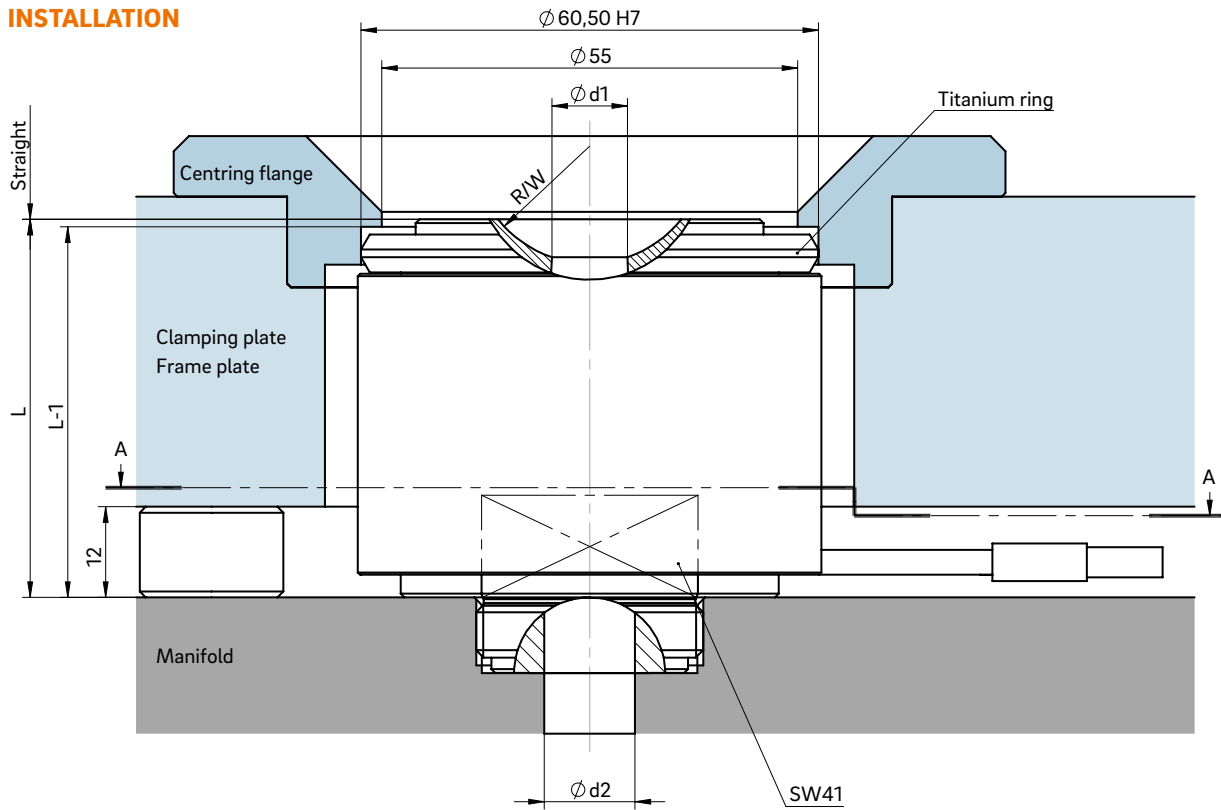


**WEBCODE**  
24140

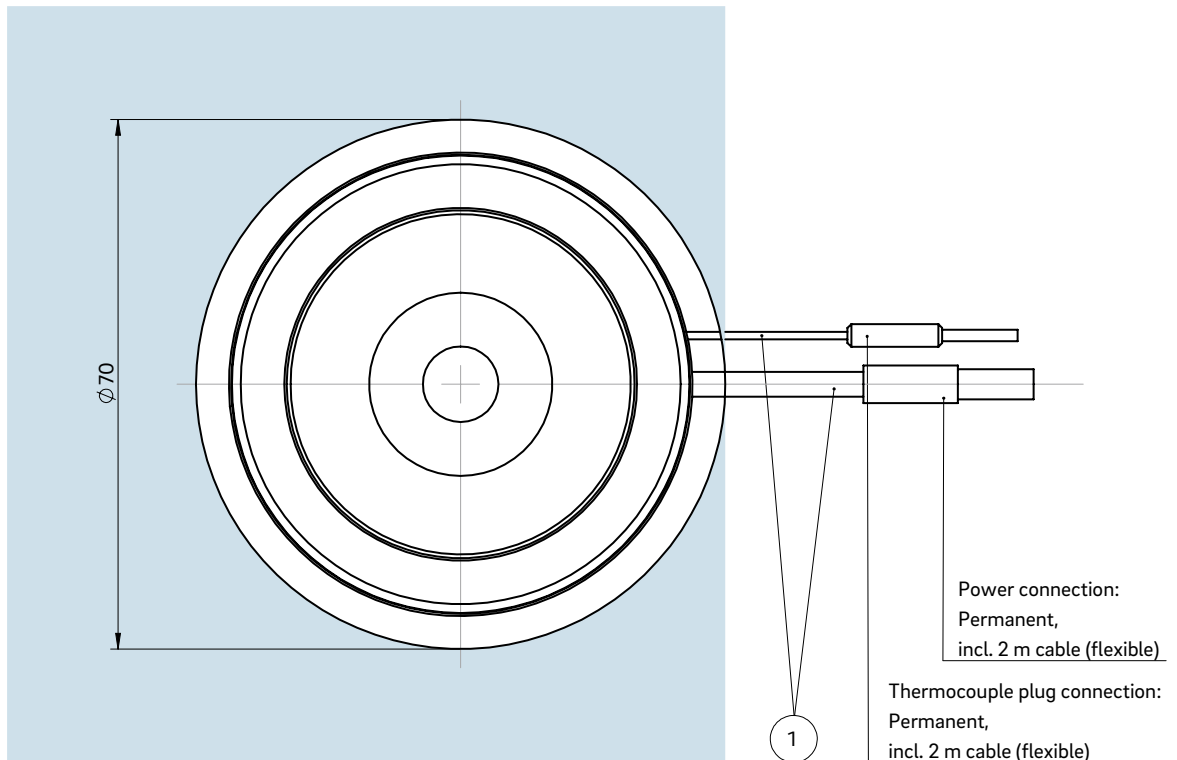
Type	Connecting nozzle (mm)	
	Ød1	Ød2
ASV12	10	12
ASV14	12	14
ASV16	14	16



**INSTALLATION**



Cross-section A-A: Cutout for connection piece, power and thermocouple cables



① Power and thermocouple plug connections in this area can be bent once; minimum radius: R8