



Connection piece type AKV

Connection piece linking the machine nozzle and manifold

TECHNICAL DATA

AKV

Operating voltage 230 V_{AC} *

Adapter straight (G)/radius (R)/
angle (W)

**Nominal length L (mm) of the connection piece/
Delivery times:**

Type	40	50	60
AKV3	■	■	■
AKV4	■	■	■
AKV5	■	■	■
AKV6	■	■	■
AKV8	■	■	■
AKV10	■	■	■

*Volts alternating current

■ *available*

NOTE

Specify the machine nozzle version when ordering.

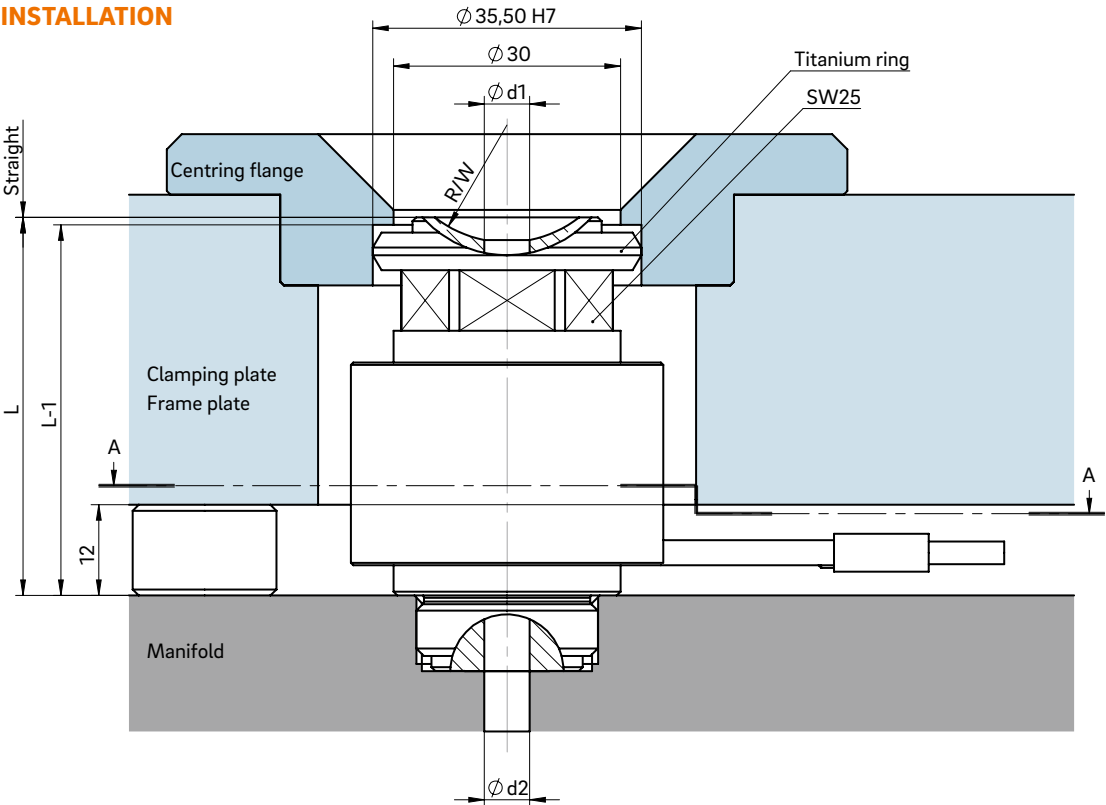


Type	Connecting nozzle (mm)	
	Ød1	Ød2
AKV3	3	3
AKV4	4	4
AKV5	5	5
AKV6	6	6
AKV8	6	8
AKV10	8	10

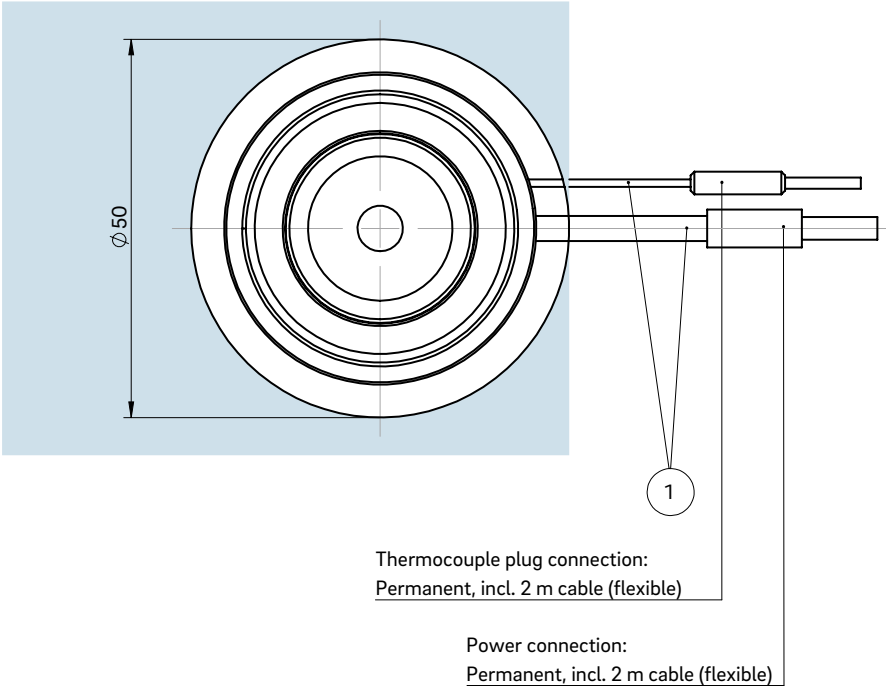
WEBCODE
24120



INSTALLATION



Cross-section A-A: Cutout for connection piece, power and thermocouple cables



① Power and thermocouple plug connections in this area can be bent once; minimum radius: R8