



# Gate bushing type VA/VAV

## Versions VA and VAV with wear protection

### TECHNICAL DATA

#### Dimensions

	Version (mm)									
	ØA	ØS	ØT <sub>1</sub>	s	ØA <sub>1</sub>	R	ØP	t <sub>1</sub>	t	
15VA	35	15	22	5	36	5	12	2.3	2.5	
20VA	35	20	28	5	36	5	16	2.3	2.5	
22VA/VAV	38	22	32	5	39	8	16	2.3	2.5	
26VA/VAV	45	26	36	5	46 <sup>1,2</sup>	8	16	2.3	2.5	
32VA/VAV	50	32	42	9	56	13	20	3.3	3.5	
38VA/VAV	59	38	48	12	60	16	26	4.3	4.5	

<sup>1</sup>ØA<sub>1</sub> = 49 mm with nozzle type 8SET/8DET

<sup>2</sup>ØA<sub>1</sub> = 56 mm with nozzle type 8SHT

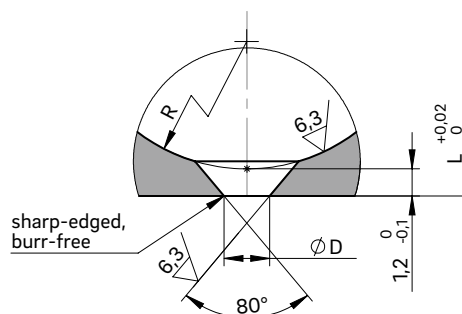
### NOTE

When using a gate bushing of size ØS = 26 mm, ØS = 32 mm or ØS = 38 mm in conjunction with nozzle types \_ET and \_HT, we recommend consulting with the engineers.

After eroding the gate bushing, it must be annealed to remove stress (1 hour at 470 °C).



### ANTECHAMBER VERSIONS A/B

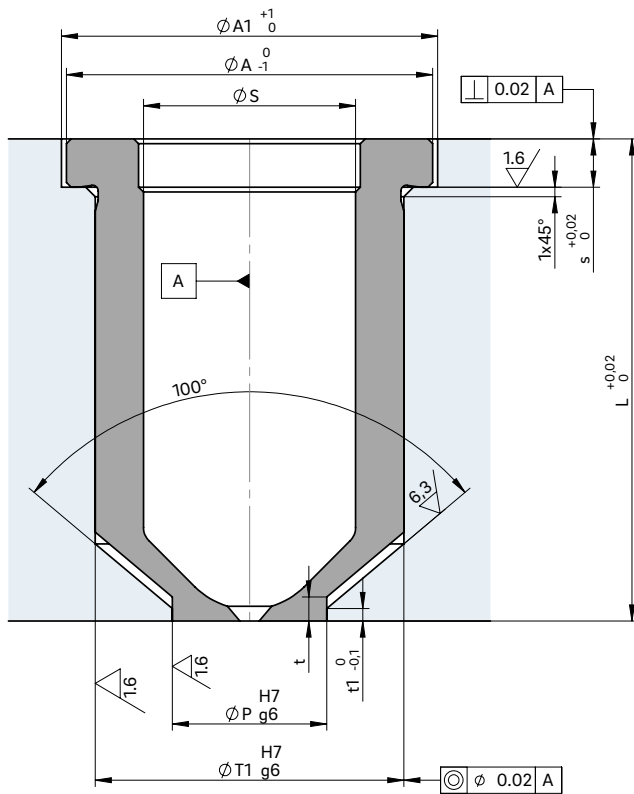


For open nozzles with a tip/open nozzles with a straight outlet for antechamber versions A/B and nozzle piece C

WEBCODE  
23050



**GATE BUSHING INSTALLATION**



Nozzle type designation	Gate bushing type/length (mm)															
	L= 50		L= 60		L= 80		L= 100		L= 120							
4SHF/4DHF	■	15VA	■	15VA	■	15VA										
4STT/4DTT	■	15VA	■	15VA	■	15VA										
4SMT/4DMT	■	20VA	■	20VA	■	20VA	■	20VA								
5SHT/5DHT	■	22VA	□	22VAV	■	22VA	□	22VAV	■	22VA	□	22VAV				
5SMT/5DMT	■	22VA	□	22VAV	■	22VA	□	22VAV	■	22VA	□	22VAV	■	22VA	□	22VAV
6SHF/6DHF	■	22VA	□	22VAV	■	22VA	□	22VAV	■	22VA	□	22VAV	■	22VA	□	22VAV
6STT/6DTT	■	22VA	□	22VAV	■	22VA	□	22VAV	■	22VA	□	22VAV	■	22VA	□	22VAV
6SHT/6DHT	■	26VA	□	26VAV	■	26VA	□	26VAV	■	26VA	□	26VAV	■	26VA	□	26VAV
6SMT/6DMT	■	26VA	□	26VAV	■	26VA	□	26VAV	■	26VA	□	26VAV	■	26VA	□	26VAV
8SET/8DET	■	26VA	□	26VAV	■	26VA	□	26VAV	■	26VA	□	26VAV	■	26VA	□	26VAV
8SHF/8DHF	■	26VA	□	26VAV	■	26VA	□	26VAV	■	26VA	□	26VAV	■	26VA	□	26VAV
8SHT/8DHT	■	26VA	□	26VAV	■	26VA	□	26VAV	■	26VA	□	26VAV	■	26VA	□	26VAV
10SHT/10DHT					■	32VA	□	32VAV	■	32VA	□	32VAV	■	32VA	□	32VAV
12SET/12DET					■	38VA	□	38VAV	■	38VA	□	38VAV	■	38VA	□	38VAV
12SHT/12DHT					■	38VA	□	38VAV	■	38VA	□	38VAV	■	38VA	□	38VAV

■ available □ on request