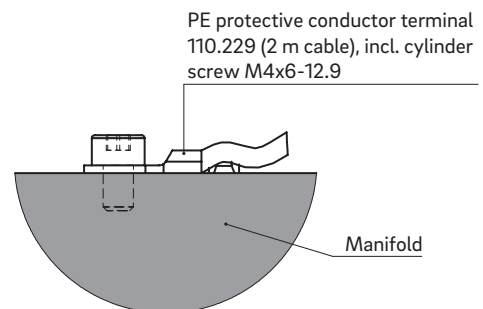
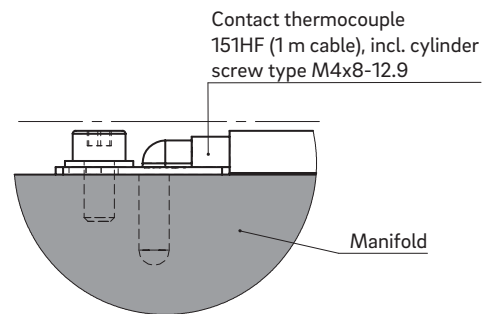
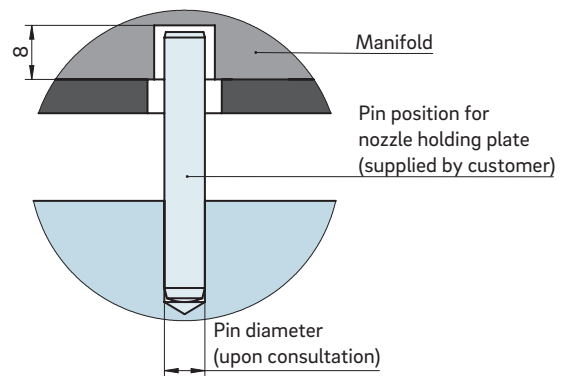
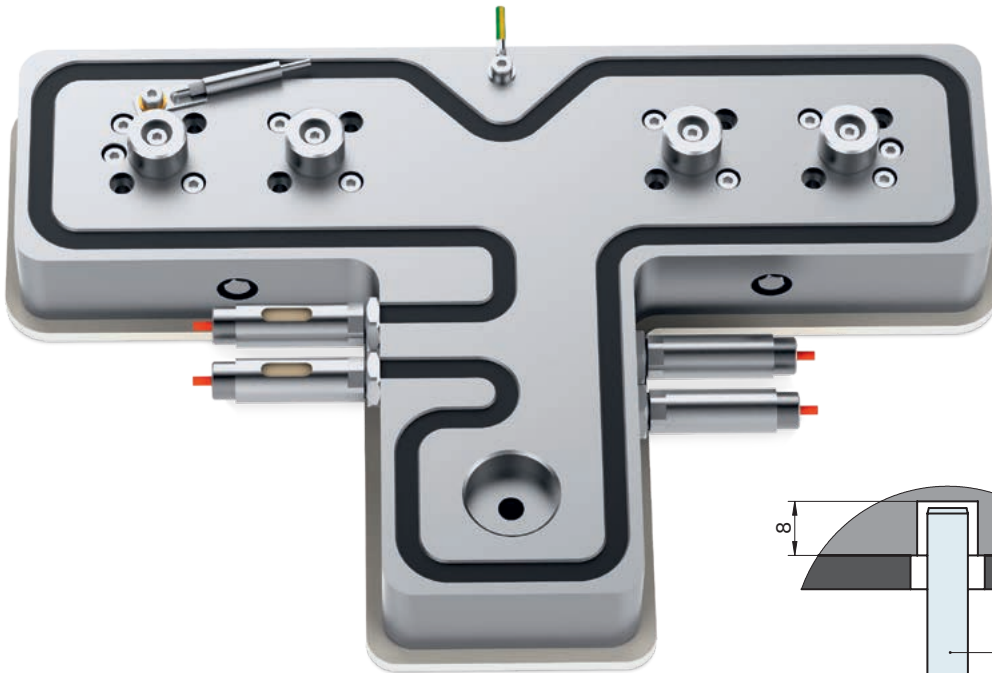




T-manifold type TCP/TDP/TEP



TECHNICAL DATA

TCP/TDP/TEP

Manifold height (VH) TCP: 36 mm
 TDP: 46 mm
 TEP: 56 mm

Operating voltage 230 V_{AC}*

Manifold length (VL) S1 + 2 × DS

Manifold width (VB) T + 2 × 40 mm

The heating output of each control circuit is calculated individually.

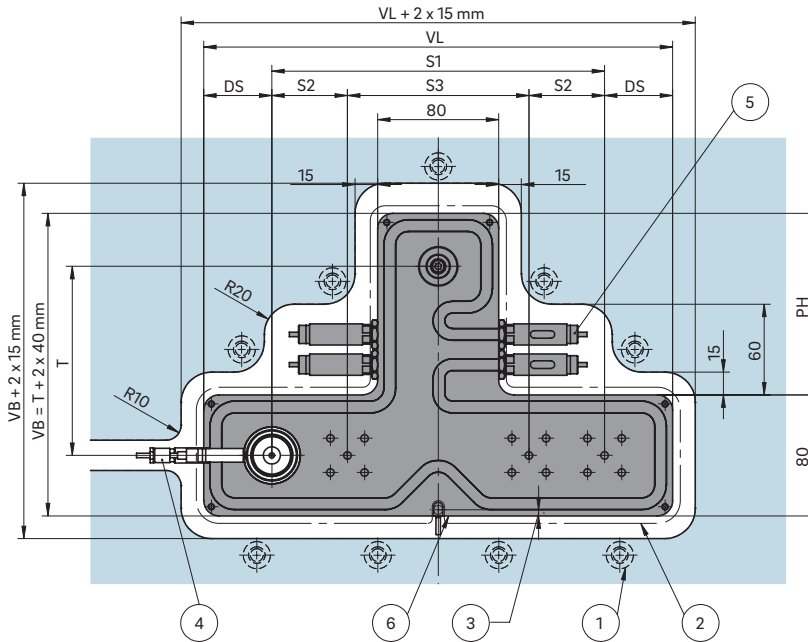
*Volts alternating current





INSTALLATION

Nozzle tip view

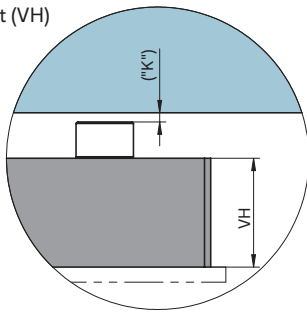


DS Edge distance:
 a. min. 35.0 with nozzle size ≤ 6
 b. min. 45.0 with nozzle size 8 or 10
 c. min. 50.0 with nozzle size ≥ 12

T Distance from the connecting nozzle to the nozzle row

- ① Screw connection close to manifold
- ② High-temperature insulation plate
- ③ Heating connections
- ④ Possible pin position "SP" = $d/2 + 1$ mm
- ⑤ Opening and plug location dependent upon nozzle type

Manifold height (VH)



Dimension "K" required for heat expansion is to be ensured by grinding the pressure piece (12 + 0.1 mm)! Determine the difference between the height of the manifold system and the height of the frame plate when installed! ΔT specifies the temperature differential between the processing temperature and the mould temperature!

VH	ΔT (°C)	100	150	200	250	300	350
36 mm	K (mm)	0.021	0.059	0.098	0.137	0.177	0.217
46 mm	K (mm)	0.033	0.078	0.124	0.170	0.218	0.264
56 mm	K (mm)	0.046	0.097	0.150	0.203	0.258	0.311

Design examples/Balancing

Type		TCP = 36 (VH) Melt channel dia in mm	TDP = 46 (VH) Melt channel dia in mm	TEP = 56 (VH) Melt channel dia in mm	Number of drops
T_P2B		≤ 10	≥ 12 to 16	> 16	2
T_P4-		≤ 10	≥ 12 to 16	> 16	4
T_P4B		≤ 10	≥ 12 to 16	> 16	4
T_P6T		≤ 10	≥ 12 to 16	> 16	6
T_P8T		≤ 10	≥ 12 to 16	> 16	8

B = balanced T = partially balanced - = not balanced