



Valve gate systems



3.4 Connecting elements

CONNECTING NOZZLES

Page



AKD

Connecting nozzle linking the machine nozzle and manifold

20



ASD6-12

Connecting nozzle linking the machine nozzle and manifold

30



ASD14-16

Connecting nozzle linking the machine nozzle and manifold

40



Connecting nozzle type AKD

Connecting nozzle linking the machine nozzle and manifold

TECHNICAL DATA

AKD

Operating voltage 230 V_{AC} *

Adapter straight (G)/radius (R)/
angle (W)

**Nominal length L (mm) of connecting nozzle/
Delivery times:**

Type	80	90	110
AKD3	<input type="checkbox"/>	<input type="checkbox"/>	<input type="checkbox"/>
AKD4	<input type="checkbox"/>	<input type="checkbox"/>	<input type="checkbox"/>
AKD5	<input checked="" type="checkbox"/>	<input type="checkbox"/>	<input type="checkbox"/>
AKD6	<input checked="" type="checkbox"/>	<input checked="" type="checkbox"/>	<input type="checkbox"/>
AKD8	<input checked="" type="checkbox"/>	<input checked="" type="checkbox"/>	<input checked="" type="checkbox"/>

*Volts alternating current

available on request

NOTE

Specify the machine nozzle version when ordering.



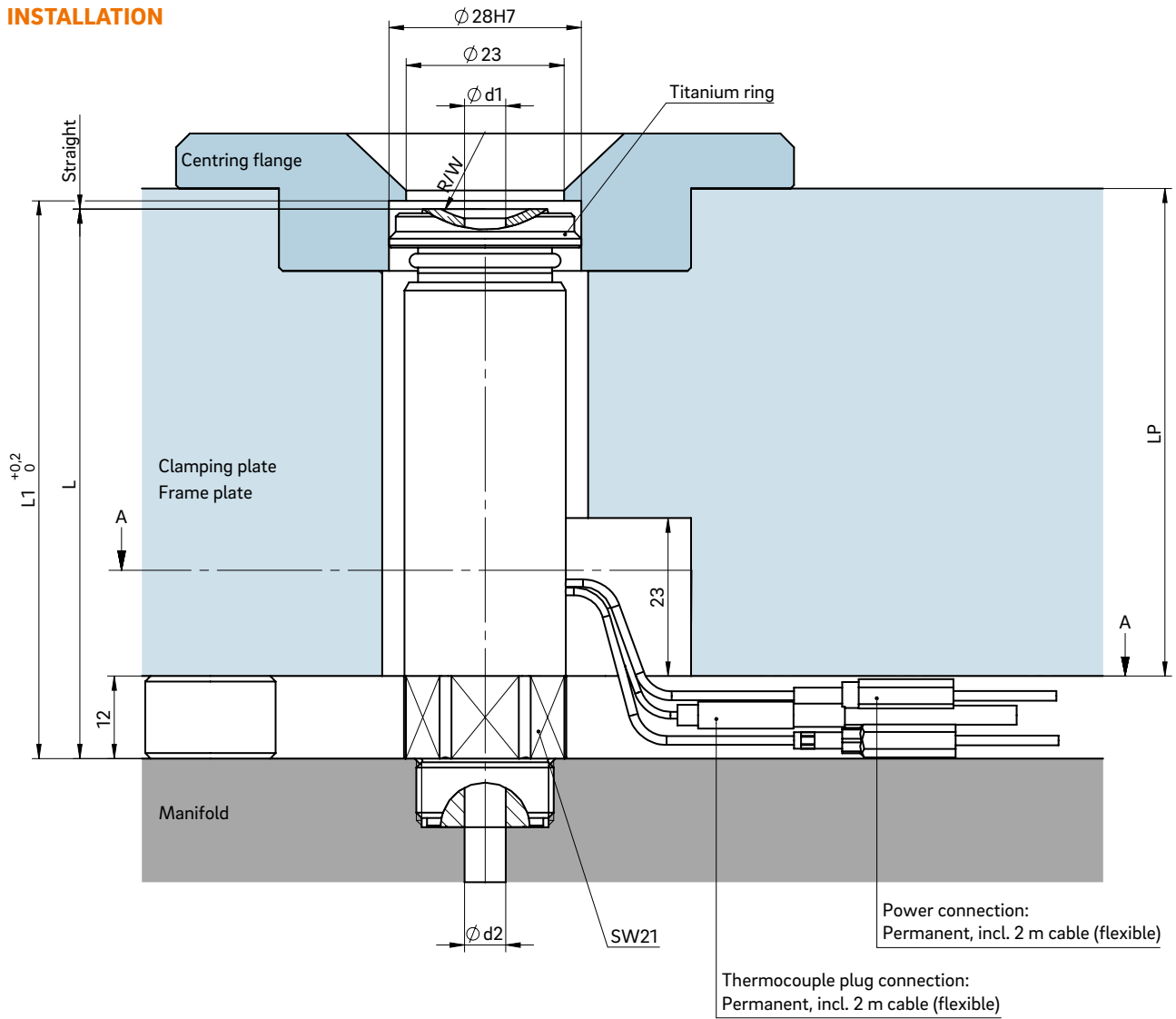
Type	Connecting nozzle (mm)	
	Ød1	Ød2
AKD3	3	3
AKD4	4	4
AKD5	5	5
AKD6	6	6
AKD8	6	8

Nozzle length L (mm)	Installation length L1 (mm)	Plate height LP (mm)
80	80.7	66
90	90.7	76
110	110.7	96

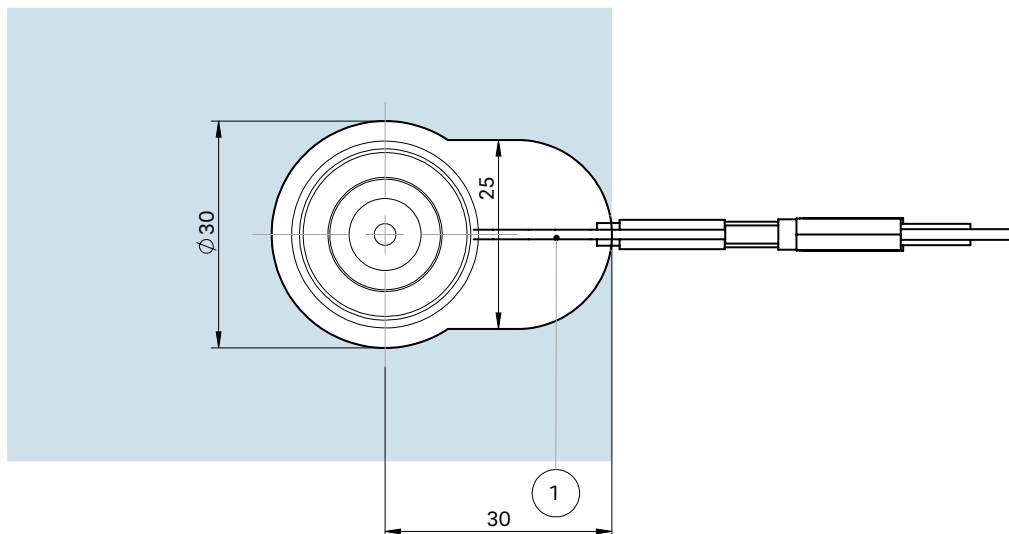
WEBCODE
35110



INSTALLATION



Cross-section A-A: Cutout for connecting nozzle, power and thermocouple cables



① Power and thermocouple plug connections in this area can be bent once; minimum radius: R8



Connecting nozzle type ASD6-12

Connecting nozzle linking the machine nozzle and manifold

TECHNICAL DATA

ASD6-12

Operating voltage 230 V_{AC} *

Adapter straight (G)/radius (R)/
angle (W)

**Nominal length L (mm) of connecting nozzle/
Delivery times:**

Typ	75	85	95	105	115	125	150	175
ASD6							<input type="checkbox"/>	<input type="checkbox"/>
ASD8							<input type="checkbox"/>	<input type="checkbox"/>
ASD10	■	■	■	■	■	■	<input type="checkbox"/>	<input type="checkbox"/>
ASD12	■	■	■	■	<input type="checkbox"/>	■	<input type="checkbox"/>	<input type="checkbox"/>

*Volts alternating current

■ *available* *on request*

NOTE

Specify the machine nozzle version when ordering.



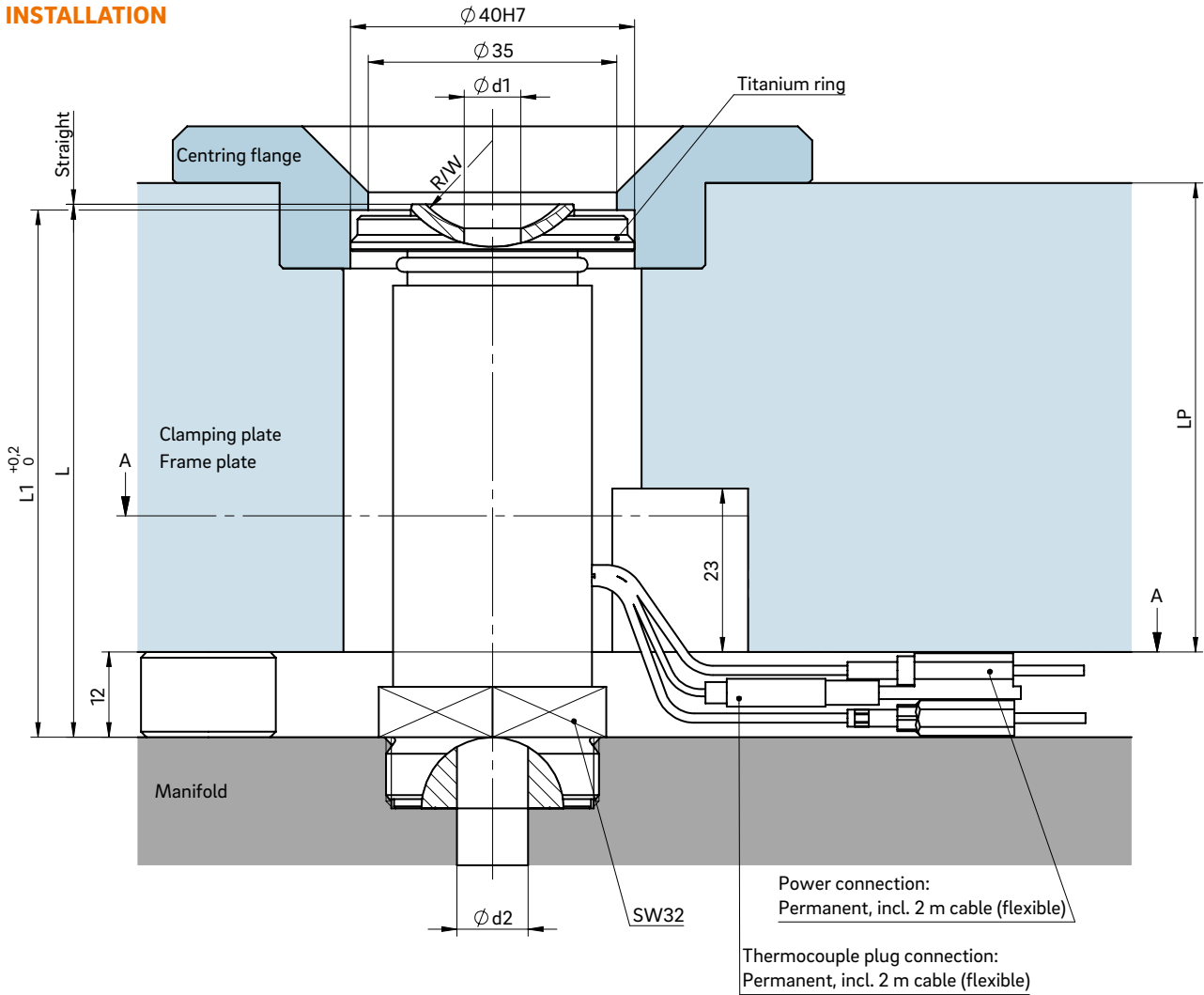
Typ	Connecting nozzle (mm)	
	Ød1	Ød2
ASD6	6	6
ASD8	6	8
ASD10	8	10
ASD12	10	12

Nozzle length L (mm)	Installation length L1 (mm)	Plate height LP (mm)
75	74.7	56
85	84.7	66
95	94.7	76
105	104.7	86
115	114.7	96
125	124.7	106
150	147.7	131
175	174.7	156

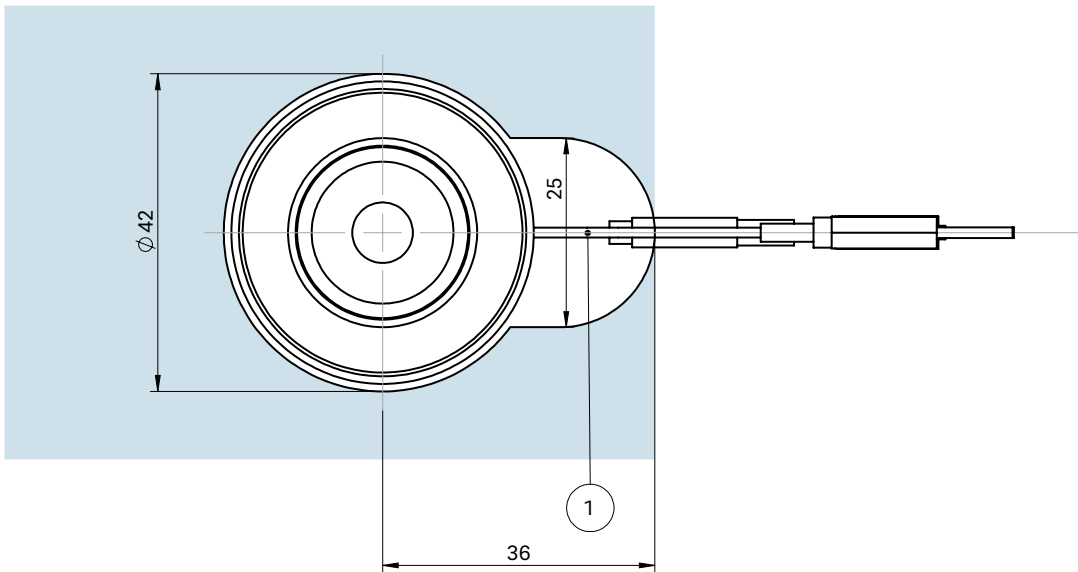
WEBCODE
35120



INSTALLATION



Cross-section A-A: Cutout for connecting nozzle, power and thermocouple cables



① Power and thermocouple plug connections in this area can be bent once; minimum radius: R8



Connecting nozzle type ASD14-16

Connecting nozzle linking the machine nozzle and manifold

TECHNICAL DATA

ASD14-16

Operating voltage 230 V_{AC} *

Adapter straight (G)/radius (R)/
angle (W)

**Nominal length L (mm) of connecting nozzle/
Delivery times:**

Type	75	85	95	105	115	125
ASD14	<input type="checkbox"/>	<input checked="" type="checkbox"/>	<input type="checkbox"/>	<input type="checkbox"/>	<input type="checkbox"/>	<input type="checkbox"/>
ASD16	<input type="checkbox"/>	<input type="checkbox"/>	<input type="checkbox"/>	<input type="checkbox"/>	<input type="checkbox"/>	<input type="checkbox"/>

*Volts alternating current

■ available on request

NOTE

Specify the machine nozzle version when ordering.



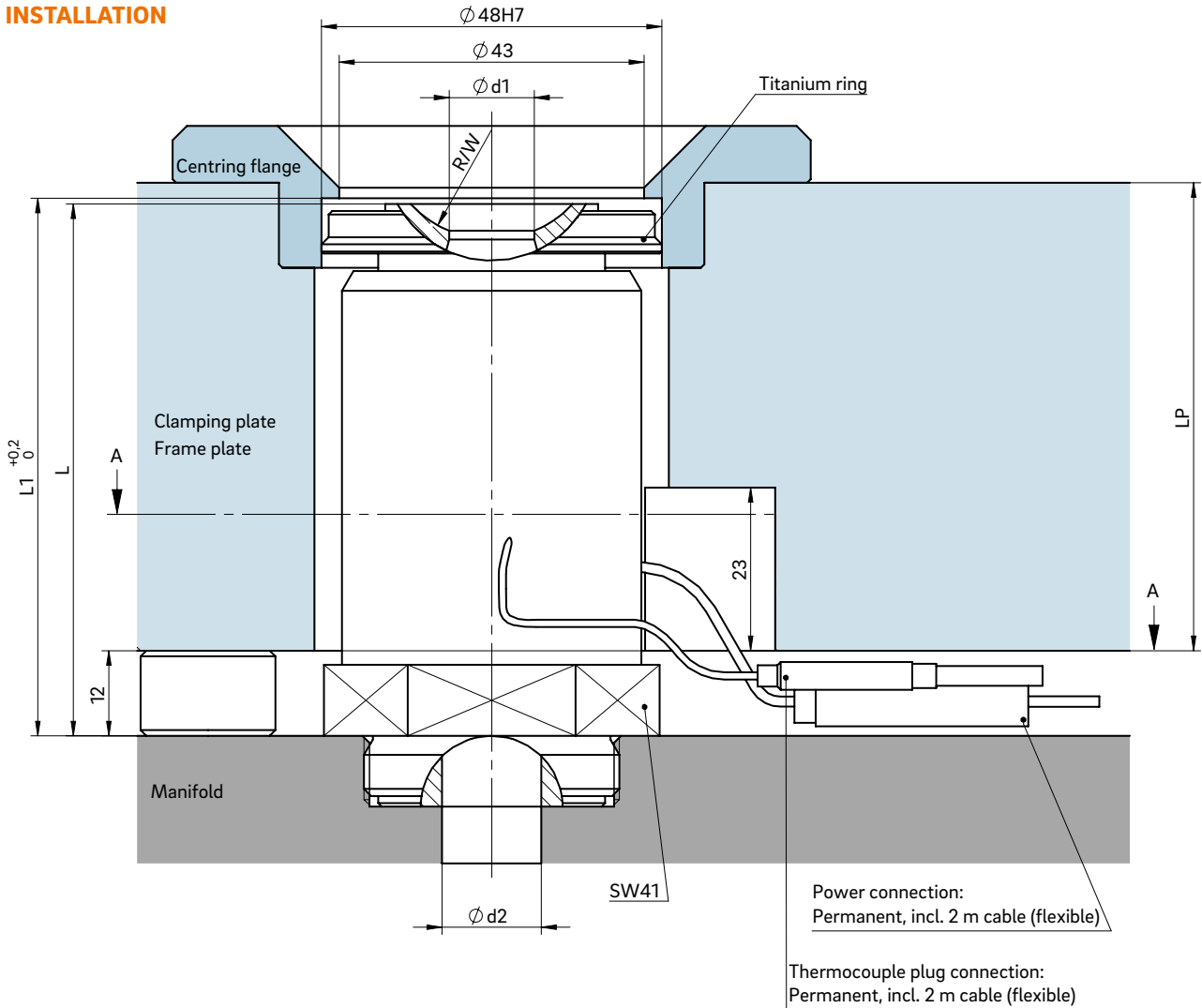
Type	Connecting nozzle (mm)	
	Ød1	Ød2
ASD14	12	14
ASD16	14	16

Nozzle length L (mm)	Installation length L1 (mm)	Plate height LP (mm)
75	75.3	56
85	85.3	66
95	95.3	76
105	105.3	86
115	115.3	96
125	125.3	106

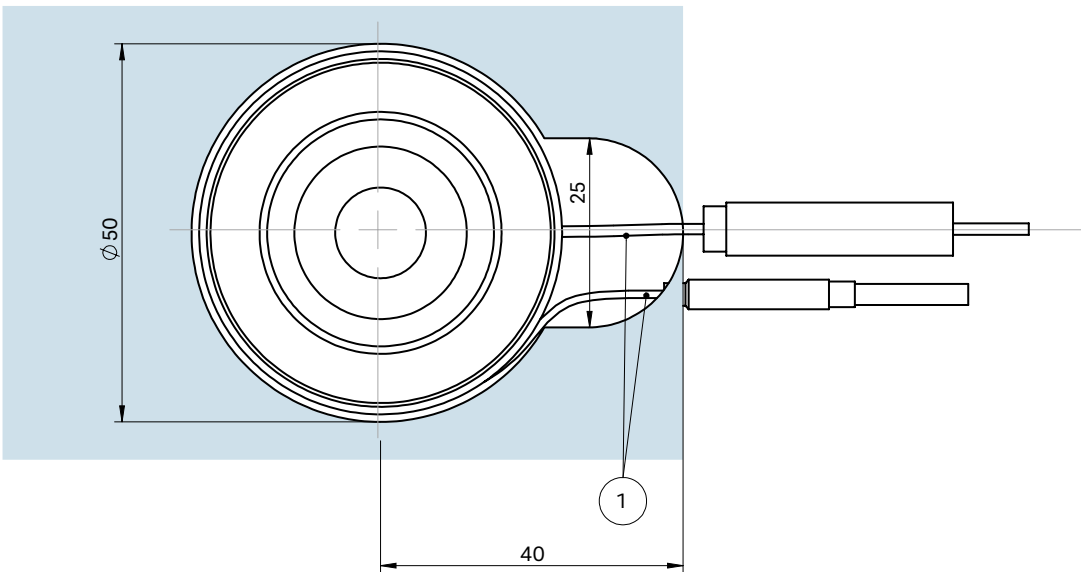
WEBCODE
35130



INSTALLATION



Cross-section A-A: Cutout for connecting nozzle, power and thermocouple cables



① Power and thermocouple plug connections in this area can be bent once; minimum radius: R8