



## Connecting nozzle type ASD14-16

Connecting nozzle linking the machine nozzle and manifold

### TECHNICAL DATA

#### ASD14-16

**Operating voltage** 230 V<sub>AC</sub> \*

**Adapter** straight (G)/radius (R)/  
angle (W)

**Nominal length L (mm) of connecting nozzle/  
Delivery times:**

Type	75	85	95	105	115	125
ASD14	<input type="checkbox"/>	<input checked="" type="checkbox"/>	<input type="checkbox"/>	<input type="checkbox"/>	<input type="checkbox"/>	<input type="checkbox"/>
ASD16	<input type="checkbox"/>	<input type="checkbox"/>	<input type="checkbox"/>	<input type="checkbox"/>	<input type="checkbox"/>	<input type="checkbox"/>

\*Volts alternating current

■ available     on request

### NOTE

Specify the machine nozzle version when ordering.



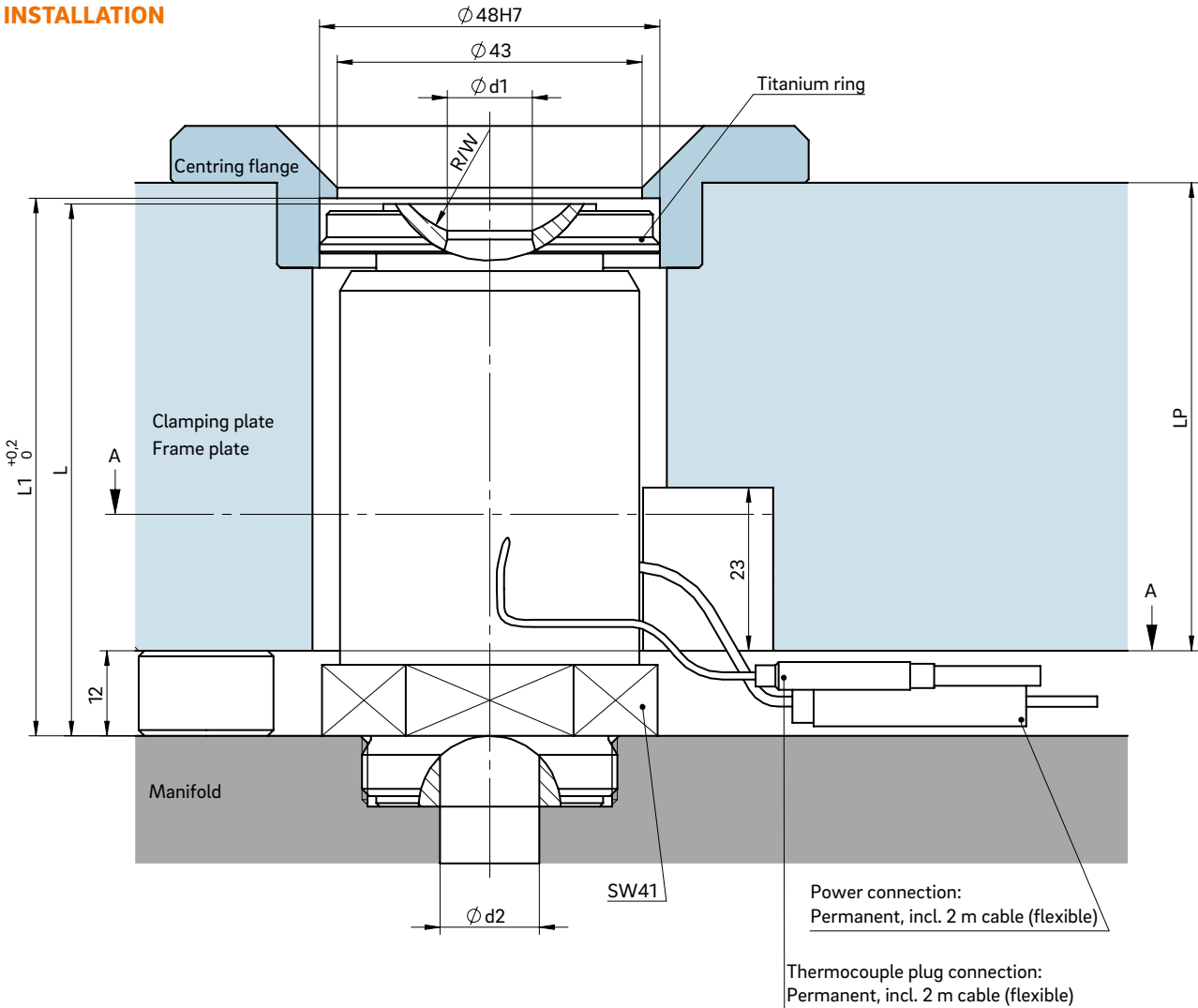
Type	Connecting nozzle (mm)	
	Ød1	Ød2
ASD14	12	14
ASD16	14	16

Nozzle length L (mm)	Installation length L1 (mm)	Plate height LP (mm)
75	75.3	56
85	85.3	66
95	95.3	76
105	105.3	86
115	115.3	96
125	125.3	106

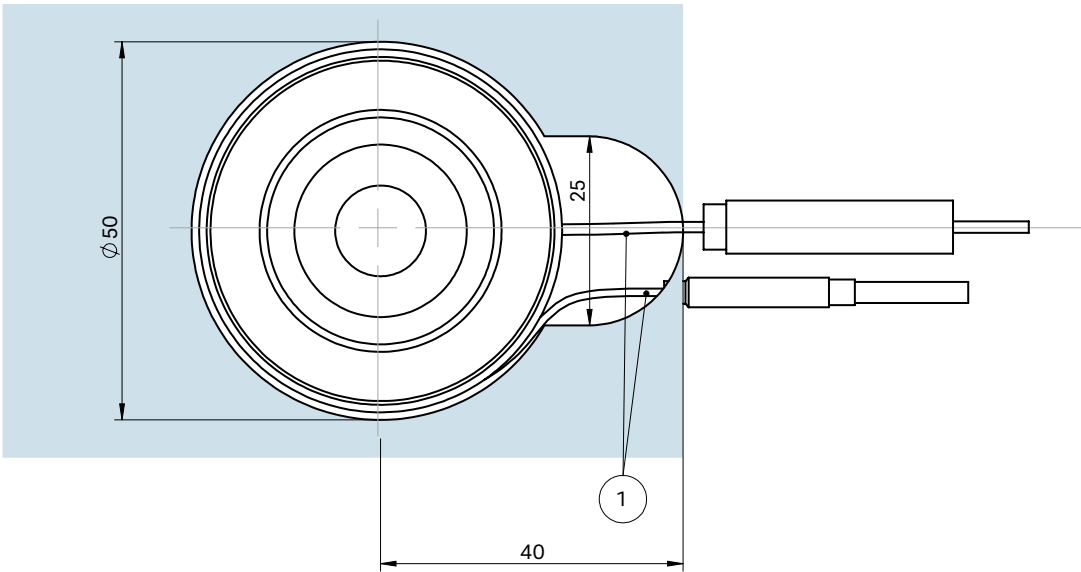
**WEBCODE**  
35130



INSTALLATION



Cross-section A-A: Cutout for connecting nozzle, power and thermocouple cables



① Power and thermocouple plug connections in this area can be bent once; minimum radius: R8