



## Connecting nozzle type ASD6-12

Connecting nozzle linking the machine nozzle and manifold

### TECHNICAL DATA

#### ASD6-12

**Operating voltage** 230 V<sub>AC</sub> \*

**Adapter** straight (G)/radius (R)/  
angle (W)

**Nominal length L (mm) of connecting nozzle/  
Delivery times:**

Typ	75	85	95	105	115	125	150	175
ASD6							<input type="checkbox"/>	<input type="checkbox"/>
ASD8							<input type="checkbox"/>	<input type="checkbox"/>
ASD10	■	■	■	■	■	■	<input type="checkbox"/>	<input type="checkbox"/>
ASD12	■	■	■	■	<input type="checkbox"/>	■	<input type="checkbox"/>	<input type="checkbox"/>

\*Volts alternating current

■ *available*     *on request*

### NOTE

Specify the machine nozzle version when ordering.



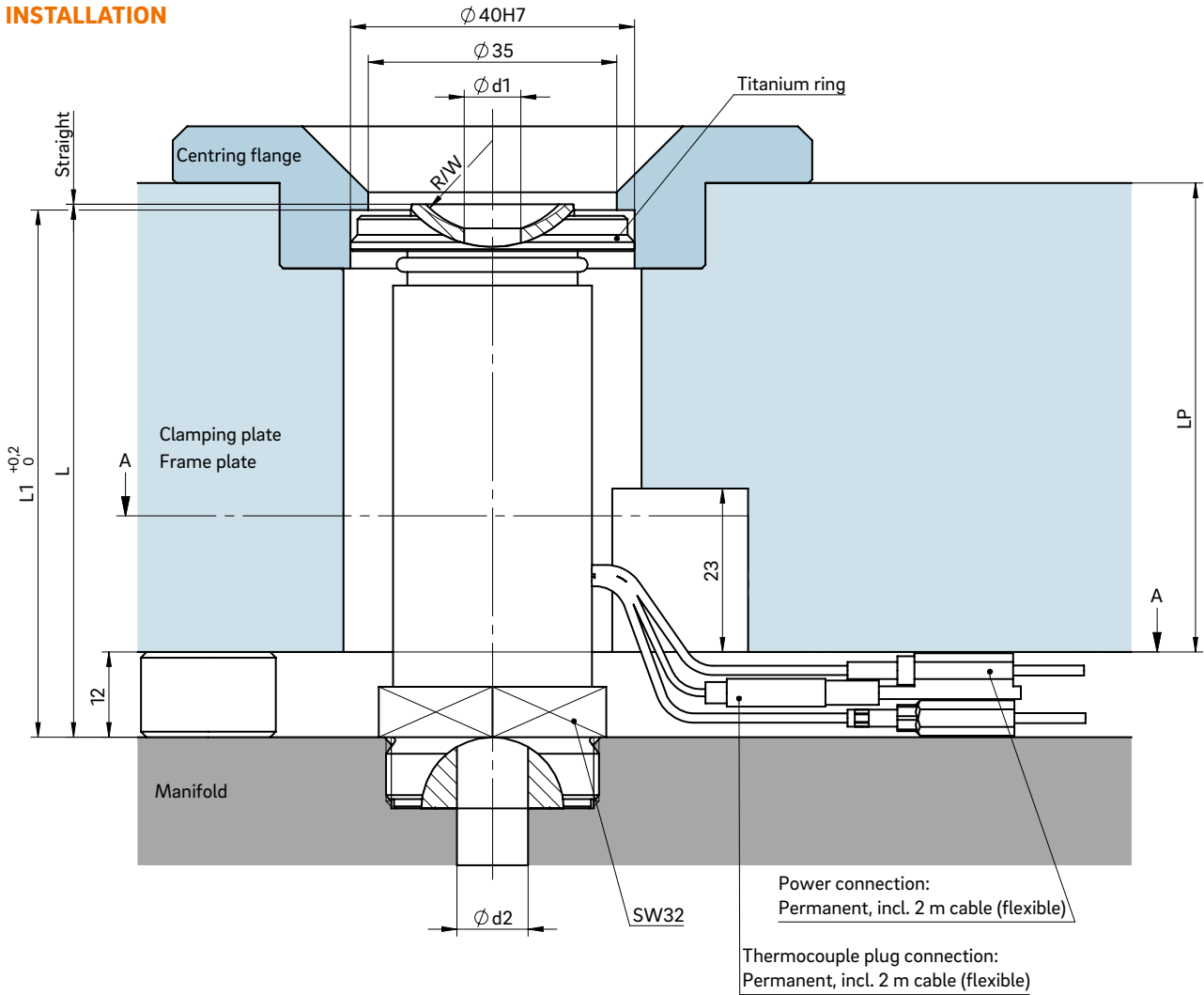
Typ	Connecting nozzle (mm)	
	Ød1	Ød2
ASD6	6	6
ASD8	6	8
ASD10	8	10
ASD12	10	12

Nozzle length L (mm)	Installation length L1 (mm)	Plate height LP (mm)
75	74.7	56
85	84.7	66
95	94.7	76
105	104.7	86
115	114.7	96
125	124.7	106
150	147.7	131
175	174.7	156

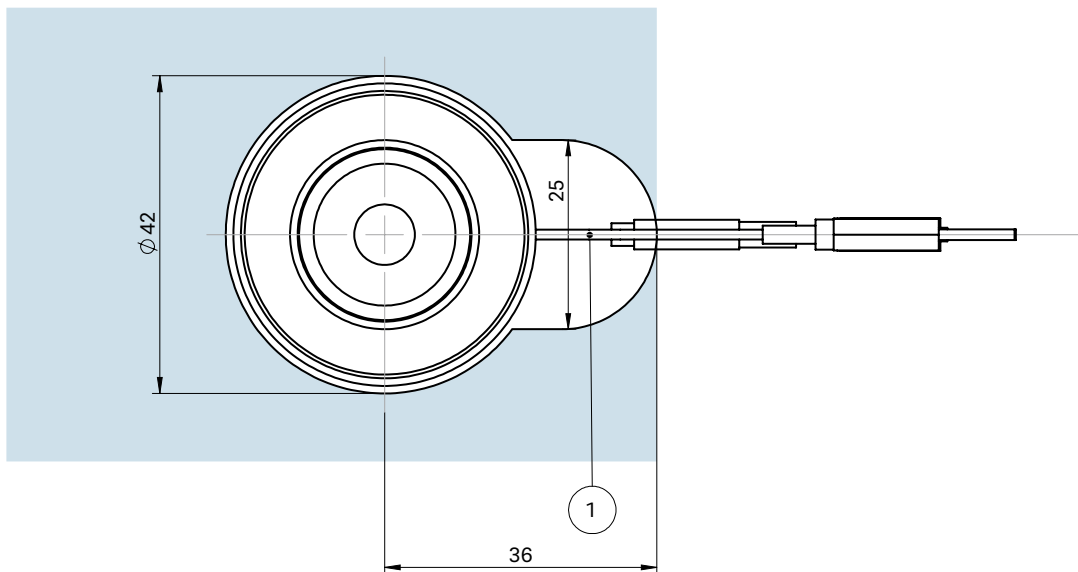
**WEBCODE**  
35120



**INSTALLATION**



Cross-section A-A: Cutout for connecting nozzle, power and thermocouple cables



① Power and thermocouple plug connections in this area can be bent once; minimum radius: R8