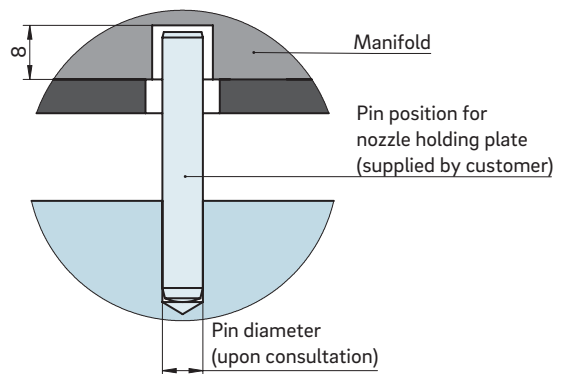




H-manifold type NHCP/NHDP/NHEP



TECHNICAL DATA

NHCP/NHDP/NHEP

Manifold height (VH) NHCP: 36 mm
NHDP: 46 mm
NHEP: 56 mm

Operating voltage 230 V_{AC}*

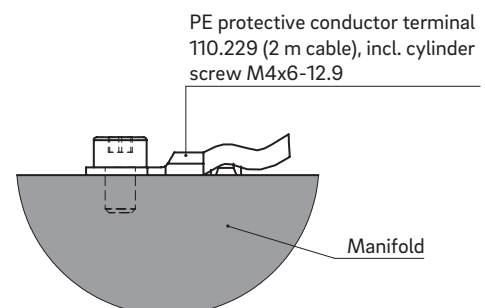
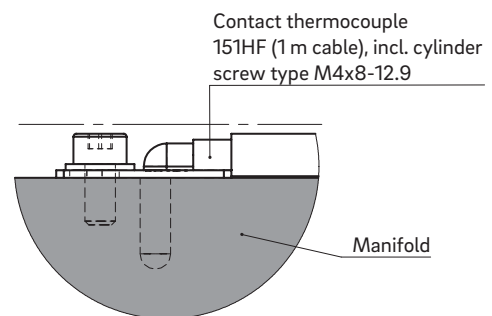
Manifold length (VL) $H + 2 \times DS$

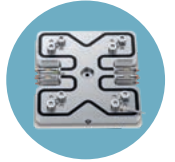
Manifold width (VB) $B + 2 \times DS$

The heating output of each control circuit is calculated individually.

*Volts alternating current

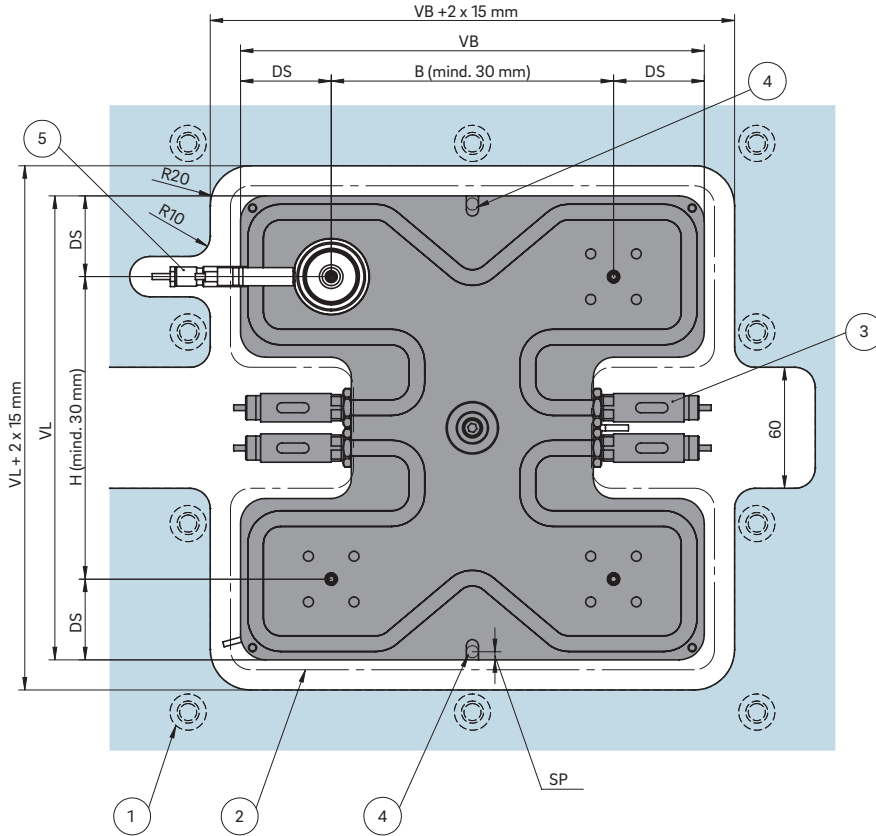
WEBCODE
33050





INSTALLATION

Nozzle tip view

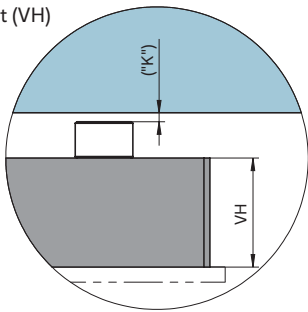


DS Edge distance:
 a. min. 35.0 with nozzle size ≤ 6
 b. min. 45.0 with nozzle size 8 or 10
 c. min. 50.0 with nozzle size ≥ 12

H Pitch between the nozzles
 B Pitch between the nozzles

- ① Screw connection close to manifold
- ② High-temperature insulation plate
- ③ Heating connections
- ④ Possible pin position
"SP" = $d/2 + 1$ mm
- ⑤ Opening and plug location dependent upon nozzle type

Manifold height (VH)



Dimension "K" required for heat expansion is to be ensured by grinding the pressure pad (12 + 0.1 mm)! Determine the difference between the height of the manifold system and the height of the frame plate when installed! ΔT specifies the temperature differential between the processing temperature and the mould temperature!

VH	ΔT (°C)	100	150	200	250	300	350
36 mm	K (mm)	0.021	0.059	0.098	0.137	0.177	0.217
46 mm	K (mm)	0.033	0.078	0.124	0.170	0.218	0.264
56 mm	K (mm)	0.046	0.097	0.150	0.203	0.258	0.311

Design examples/Balancing

Type		NHCP = 36 (VH) Melt channel $\varnothing d$ in mm	NHDP = 46 (VH) Melt channel $\varnothing d$ in mm	NHEP = 56 (VH) Melt channel $\varnothing d$ in mm	Number of drops
NH_P4B		≤ 8	≥ 10 to 12	≥ 16	4
NH_P6T		≤ 8	≥ 10 to 12	≥ 16	6
NH_P6B			≤ 8	≤ 10	6
NH_P8B		≤ 8	≥ 10 to 12	≥ 16	8
NH_P12B			≤ 8	≤ 10	12
NH_P16B		≤ 8	≥ 10 to 12	≥ 16	16

B = balanced T = partially balanced