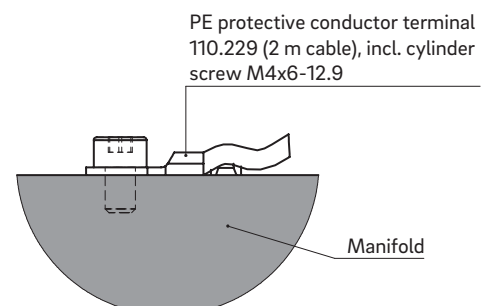
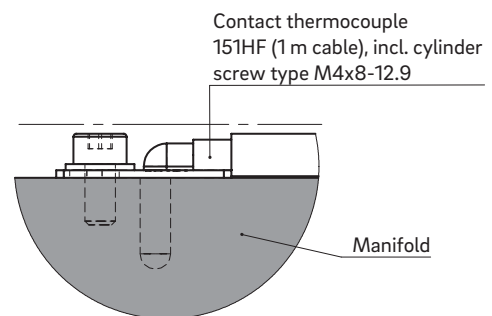
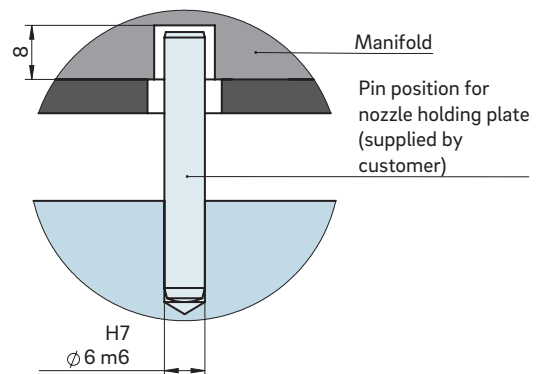




Straight manifold type NGCP

Manifold length (VL) 160-360



TECHNICAL DATA

NGCP VL 160-360

Manifold height (VH) 36 mm

Operating voltage 230 V_{AC} *

Manifold length (VL)	160	210	260	310	360
Control circuits	1	1	1	1	1
Power (watts) per control circuit	2 × 750	2 × 950	2 × 1000	2 × 1350	2 × 1500

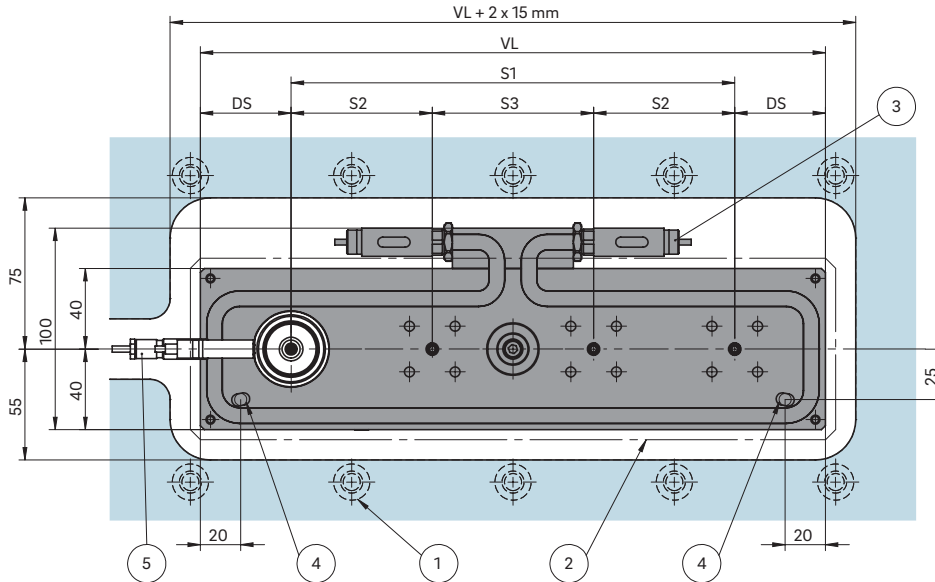
*Volts alternating current

WEBCODE
33010



INSTALLATION

Nozzle tip view



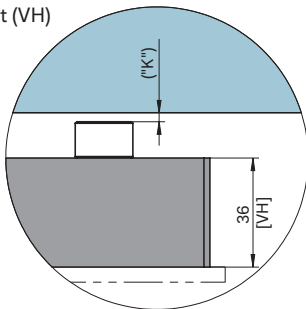
DS Edge distance:
 a. min. 35.0 with nozzle size ≤ 6
 b. min. 45.0 with nozzle size 8

S1 Largest pitch (max. pitch)
 S2 Pitch between the nozzles (min./max. pitch)

S3 Pitch between the nozzles, taking connecting element and spacer into account (min./max. pitch)

- ① Screw connection close to manifold
- ② High-temperature insulation plate
- ③ Heating connections
- ④ Possible pin position
- ⑤ Opening and plug location dependent upon nozzle type

Manifold height (VH)



Dimension "K" required for heat expansion is to be ensured by grinding the pressure pad (12 + 0.1 mm)! Determine the difference between the height of the manifold system and the height of the frame plate when installed! ΔT specifies the temperature differential between the processing temperature and the mould temperature!

VH	ΔT (°C)	100	150	200	250	300	350
36 mm	K (mm)	0.021	0.059	0.098	0.137	0.177	0.217

Design examples/Balancing

Type		Melt channel $\varnothing d$ in mm	Number of drops
NGCP1B		≤ 8	1
NGCP2B		≤ 8	2
NGCP4B		≤ 8	4
NGCP8T		≤ 8	8

B = balanced T = partially balanced