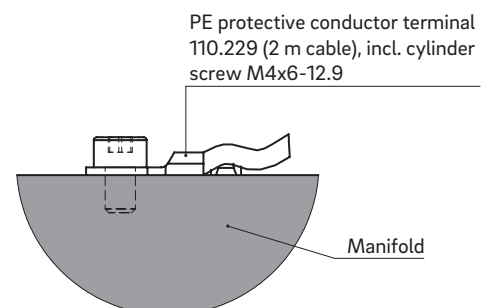
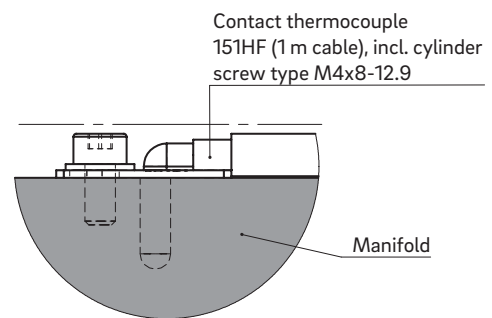
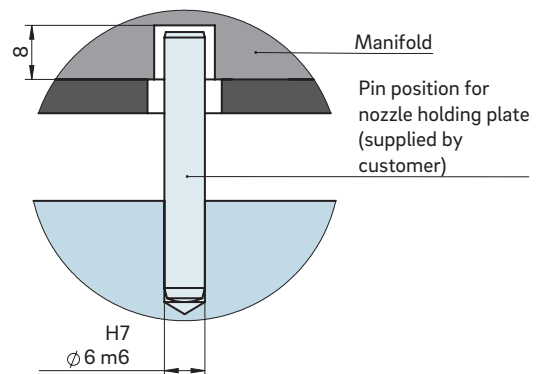




Straight manifold type NGDP

Manifold length (VL) 410-510



TECHNICAL DATA

NGDP VL 410-510

Manifold height (VH) 46 mm

Operating voltage 230 V_{AC} *

Manifold length (VL)	410	460	510
----------------------	-----	-----	-----

Control circuits	2	2	2
------------------	---	---	---

Power (watts) per control circuit	2 × 850	2 × 950	2 × 1000
-----------------------------------	---------	---------	----------

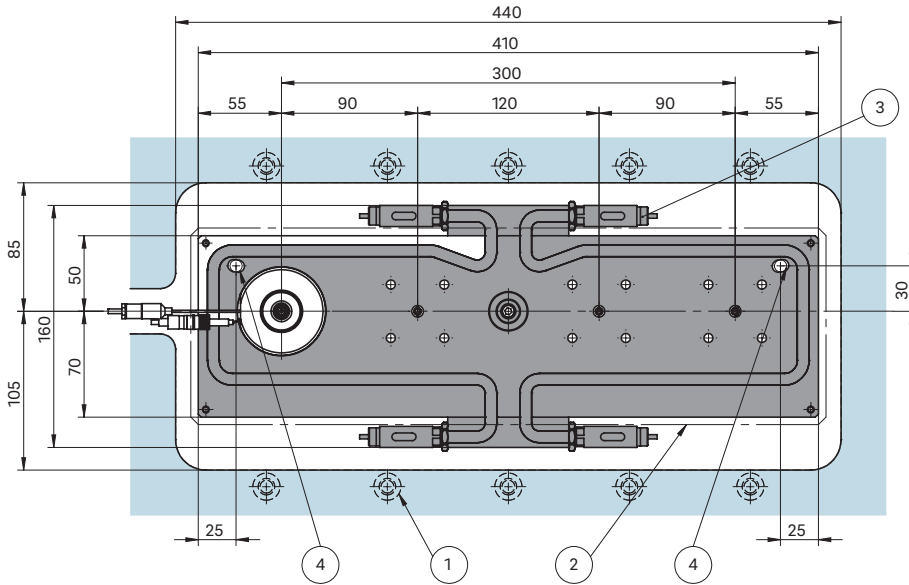
*Volts alternating current

WEBCODE
33040



INSTALLATION

Nozzle tip view

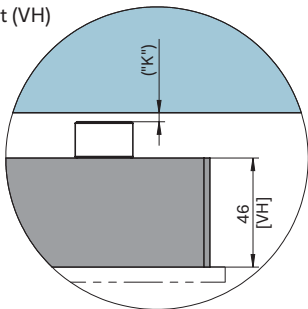


DS Edge distance:
 a. min. 35.0 with nozzle size ≤ 6
 b. min. 45.0 with nozzle size 8 or 10
 c. min. 50.0 with nozzle size ≥ 12

S1 Largest pitch (max. pitch)
 S2 Pitch between the nozzles (min./max. pitch)
 S3 Pitch between the nozzles, taking connecting element and spacer into account (min./max. pitch)

- ① Screw connection close to manifold
- ② High-temperature insulation plate
- ③ Heating connections
- ④ Possible pin position
- ⑤ Opening and plug location dependent upon nozzle type

Manifold height (VH)



Dimension "K" required for heat expansion is to be ensured by grinding the pressure pad (12 + 0.1 mm)! Determine the difference between the height of the manifold system and the height of the frame plate when installed! ΔT specifies the temperature differential between the processing temperature and the mould temperature!

VH	ΔT (°C)	100	150	200	250	300	350
46 mm	K (mm)	0.033	0.078	0.124	0.170	0.218	0.264

Design examples/Balancing

Type		Melt channel \varnothing d in mm	Number of drops
NGDP1B		≥ 12	1
NGDP2B		≥ 12	2
NGDP4B		≥ 12	4
NGDP6T		≤ 8	6
NGDP8T		≥ 12	8

B = balanced T = partially balanced