



Valve gate nozzle type 5NMT

System nozzle with conventional heating element, for minimal spacing, not screwed to the manifold

TECHNICAL DATA

5NMT

Needle Ød	3 mm
Melt channel Ød	4.8 mm
Gate point Ød	0.8, 1.0, 1.2 or 1.4 mm
Operating voltage	230 V _{AC} *

Nominal length of the nozzle (L) in mm

50	60	80	100	120	150
■	■	■	■	■	□

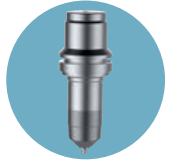
Contact us for other nozzle lengths!

*Volts alternating current

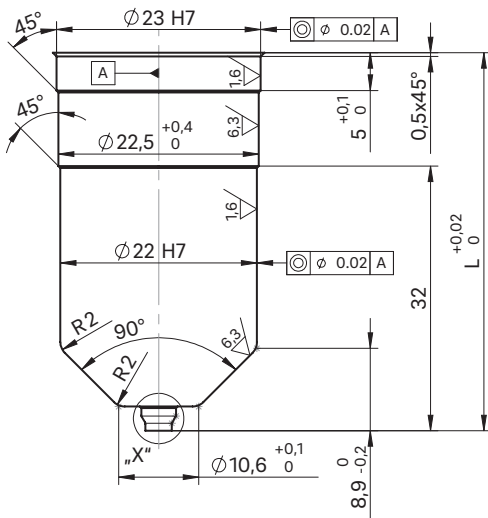
■ available □ on request



WEBCODE
32090

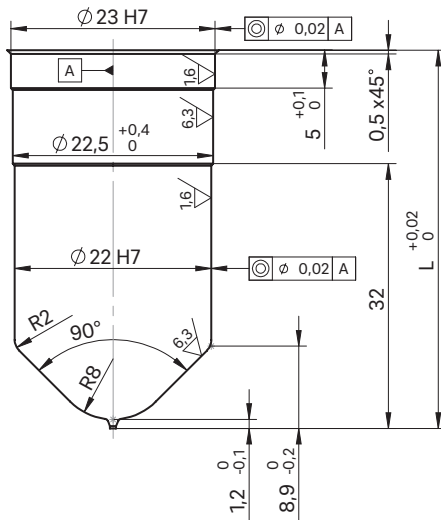


Nozzle with needle guide
antechamber design LA

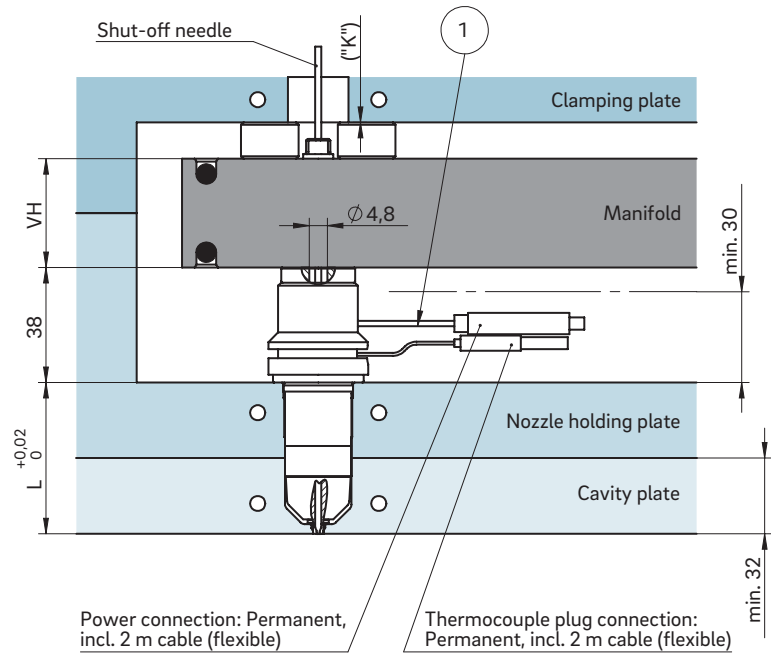


For "X" version of the needle guide
see following page

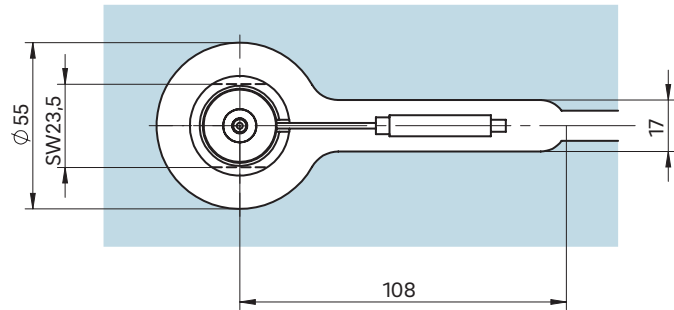
Nozzle with needle guide
antechamber design KA



INSTALLATION



Example cutout for nozzle head, power and thermocouple plug connections



- ① Power and thermocouple plug connections in this area can be bent once; minimum radius: R8
SW = flat area on nozzle head

Dimension "K" required for heat expansion is to be ensured by grinding the pressure pad (12 + 0.1 mm)! Determine the difference between the height of the manifold system and the height of the frame plate when installed! ΔT specifies the temperature differential between the processing temperature and the mould temperature!

VH	ΔT (°C)	100	150	200	250	300	350
36 mm	K (mm)	0.021	0.059	0.098	0.137	0.177	0.217
46 mm	K (mm)	0.033	0.078	0.124	0.170	0.218	0.264
56 mm	K (mm)	0.046	0.097	0.150	0.203	0.258	0.311



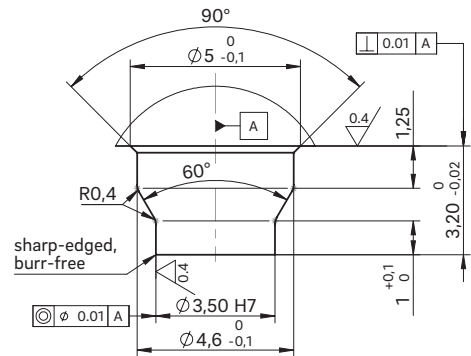
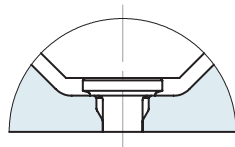
Valve gate nozzle type 5NMT

Needle guide versions LA, LA with titanium ring, LAZ and KA

NEEDLE GUIDE VERSIONS



Needle guide version
Antechamber version LA



Needle guide LA

Made of powder-metallurgical steel

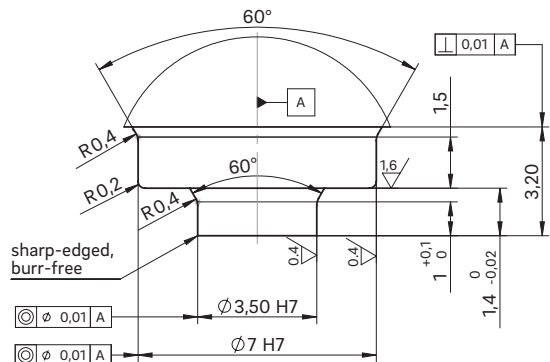
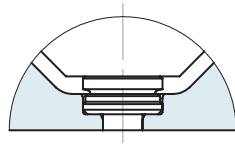
If necessary, the needle guide can be changed without great effort. By replacing the needle guide and needle, the gate point diameter can be made larger or smaller without subsequent reworking of the mould cavity. Thanks to a precise needle guide, the clean gate point can be closed with nearly no wear or burring.

Advantages:

- Long service life and wear-resistance
- Wear parts are easy to replace
- Outstanding and flash-free gate point quality
- Very good visual surface quality
- No replacement or subsequent reworking of the mould inserts required
- Minimal shear stress



Needle guide version
Antechamber version LA
with titanium ring

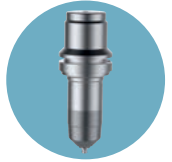


Needle guide LA

Special version with titanium ring

Thermal insulation of the needle guide using a titanium ring expands the area of use of the valve gate nozzle to include the following plastics:

- Polyamides (PA4.6, PA6.6 and HTN)
- Thermoplastic polyesters (PBT and PET)
- Liquid crystalline polymers (LCP)
- Polyether ether ketones (PEEK)

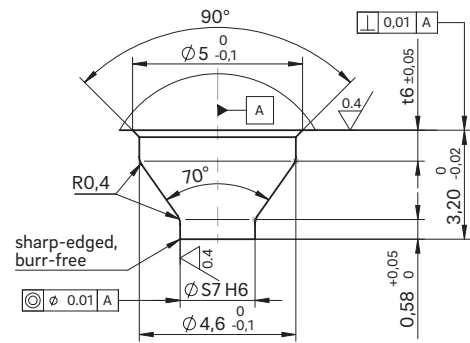
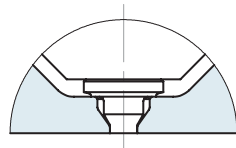


Installation dimensions of needle guide version LAZ

ØD	ØS7	t6
0.8	2.2	0.91
1.0	2.4	1.05
1.2	2.6	1.20
1.4	2.8	1.34



Needle guide version
Antechamber version LAZ



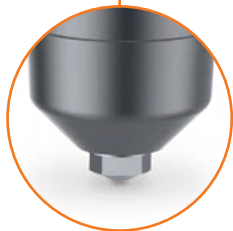
Needle guide LAZ

Made of powder-metallurgical steel

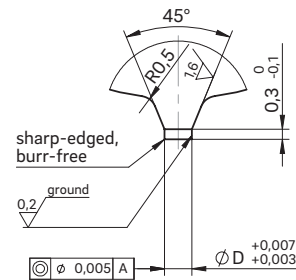
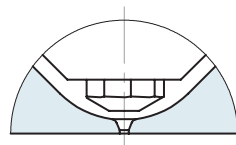
If necessary, the needle guide can be changed without great effort. By replacing the needle guide and needle, the gate point diameter can be made larger or smaller without subsequent reworking of the mould cavity. Thanks to a precise needle guide, the clean gate point can be closed with nearly no wear or burring. Needle guide type LAZ has a tapered shape with a smaller contact surface which creates a smaller impression. This version is suitable for items with a minimal wall thickness and part geometries not permitting a larger impression.

Advantages:

- Long service life and wear-resistance
- Wear parts are easy to replace
- Outstanding and flash-free gate point quality
- Very good visual surface quality
- No replacement or subsequent reworking of the mould inserts required
- Minimal shear stress



Needle guide version
Antechamber version KA



Needle guide KA

This is used when a second marking on the part is not permissible.

When selecting the material to be used, the needle hardness of 64 ±2 HRC is to be taken into account!