



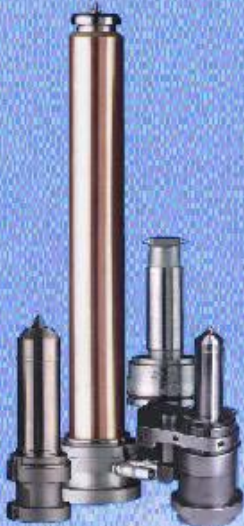
GÜNTHER

Hot Runner Systems

Control unit

DP3/DP5

User manual



Contents:

1. General notes

1.1 Safety information

2. Operation

2.1 Start up

2.2 Display of temperature

2.3 Display during percentage mode

2.4 Changing the control modes (thermocouple, percentage control mode, off)

2.5 Loading default values

2.6 Fault reports

3. Parameter setting

3.1 Parameter menu – flow chart / menu items

3.2 Configuration menu – flow start / meine items

4. Further function

4.1 Softstart

4.2 Starting ramp

4.3 Set value lowering

4.4 Switching power control

4.5 Counter operating time

5. Connection of control circuits

6. Installation and start up

7. Table of faults and defects

8. Specifications

9. Appendix EG – declaration of conformity

10. Addresses

GÜNTHER Hot Runner Control Unit DP3/DP5

1. General notes

The five zone control unit DP5 is designed for temperature regulation of five hot runner nozzles. It may be applied for the control of any 230V-load circuit of hot runner systems. The unit's output of up to 3500W allows the operation of different 230V-loads by means of the "Pulsgruppensteuerung" (Switching Power Control).

Please note that this unit is not designed for temperature control of low voltage nozzles (5V or 24V).

On the rear the illuminated master key, the modular plug and the fuse are positioned. Each heating circuit is controlled via solid-state-relays in "Pulsgruppenbetrieb" (Switching Power Control mode).

Caution !

The load fuse F3 (DP3) or F5 (DP5) may not exceed a maximum current of 16A! The other fuses (F1-F2 for DP3 or F1-F4 for DP5) may not exceed a maximum current of 10A.

The 3-zone controller unit DP3 is a smaller version of the 5-zone control unit DP5. It is basically constructed like the DP5, yet it operates only one circuit.

1.1 Safety information

The DP3/DP5 is built and tested according to safety standards declared by the European Council of Assimilation of Legal Regulations (cf. appendix) and has left the factory in perfect condition. In order to maintain this condition and for safe operation, please read this User Manual carefully and follow the instructions.

Ensure that your local supply voltage corresponds to the unit's nominal voltage before you switch on. For safe operation, the unit must be plugged into an earthed socket. Any disconnection of the earthed conductor, e.g. by using an extension flex without earthed conductor, may cause severe danger!

Caution: Always disconnect the unit before opening! Pull mains plug!

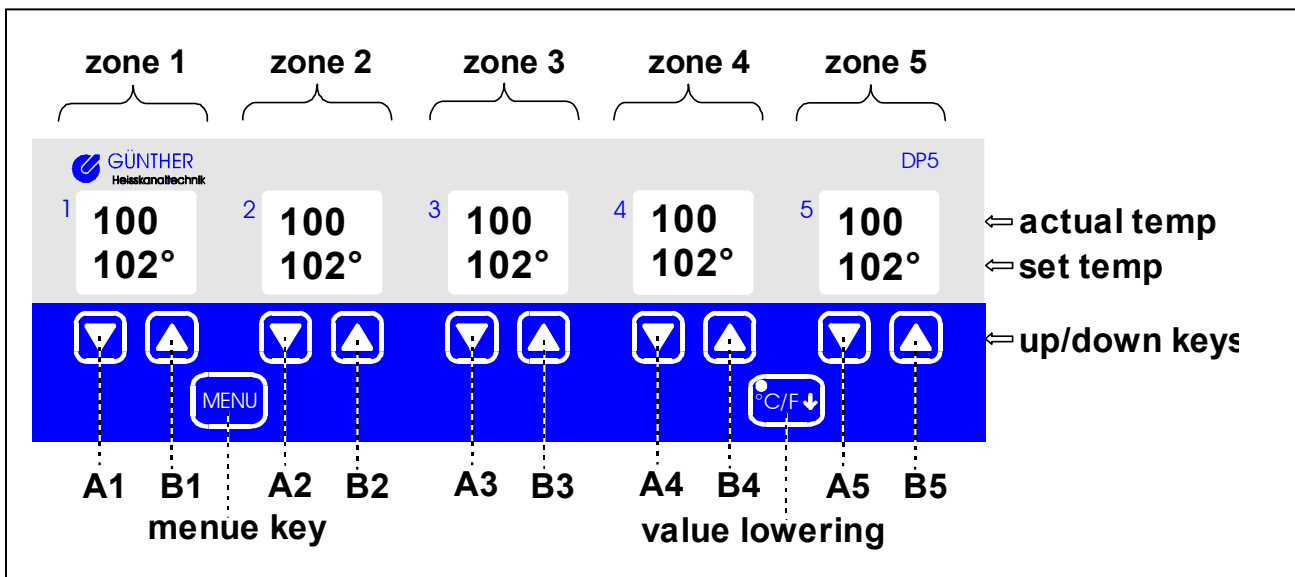
This control unit contains hazardous voltage. Any repair and service work must be carried out by qualified and authorised personnel only. The components inside the unit are maintenance-free for our customers. They are exclusively serviced by Günther Hot Runner Systems.

For operation of the control unit, a fuse protected socket must be used. Both the DP3 and DP5 are equipped with a one phase 16A-plug. Please ensure that the sockets used are protected sufficiently.

Note:

Refer to the chapter on installation and start-up for further information. Always unplug the unit before touching the components inside! (Pull mains plug!)

2. Operation



The set temperature can be adjusted by pressing the up- and down-keys at each zone. You can switch between the three operation modes by pressing the two keys (A_ and B_) of a zone simultaneously. (See chapter 2.4)

If you change settings in the parameter menu, the left display shows the parameter settings for all zones.

The fault reports of each zone are displayed on the defect zone display.

You enter the parameter menu by pressing key **menu** (see chapter 3).

By the three-zone version DP3, the 4th and the 5th display has no function. Besides that, the functions don't differ.

2.1 Start up



After switching on, the controller's left LED display (zone 1) shows the start report: the top line indicates the number of zones connected to the controller (DP5 – five zone controller); the bottom line indicates the number of software version. After the start report, the DP3/DP5 automatically runs a system check then starts the operating mode.

2.2 Display of temperature

The temperature controller displays temperatures on five 4-digit LED displays. During thermocouple control mode, the first line displays the actual temperature and the second line displays the set temperature (max. 500°C).

The DP3/DP5 offers the opportunity to choose between °C and °F. A set value of 570°F, for example, would be displayed as „570F“ on this set value indicator.

2.3 Display during percentage control modes

The DP3/DP5 can be operated in percentage control mode in order to avoid a long-term production halt in the event of a thermocouple failure.

percentage control mode: range of 0-100% possible

Keys:

Key A1..A5: Decrease the percent value (set value current control)

Key B1..B5: Increase the percent value (set value current control)

2.4 Changing the control modes

The DP3/DP5 can be operated in percentage control mode in order to avoid a long-term production halt in the event of a thermoelectric couple failure. By pressing the keys A1 and B1 for zone 1 (or keys A2 and B2 for zone 2 ...) simultaneously you can switch between thermocouples, percentage control mode and zone off.

Note:

If the DP3/DP5 detects a damaged or disconnected thermocouple during operation, it automatically disconnects the heater circuit and displays a fault report. If you confirm this report, the unit afterwards automatically switches into percentage control mode.

2.5 Loading default values

The system parameters of the DP3/DP5 can be set in the parameter menu. In case of an error in your parameter configuration, the unit offers the possibility to load standard default values. For that purpose, hold down keys A1,B1 and menu during power-on of the control unit.

display	meaning
LOAD dEF.	The display 'load defaults' appears after you choose to set the factory defaults for approx. 5 sec.

2.6 Fault reports

During its operation, the controller DP3/DP5 runs several diagnostic routines. These include checking the thermocouples. Any fault or defect will be indicated by a short report. The heater circuit will always be disconnected in case of a fault or defect.

Note:

System faults can be confirmed by pressing key ‚menu‘.

The following fault reports may arise during the operation of the DP3/DP5:

<u>display</u>	<u>meaning</u>
No Sens	<u>Thermocouple failure</u> The unit detected that a thermocouple is unconnected or interrupted on one wire. Please check the wiring of your thermocouple!
Pol. tH.1	<u>Polarity error at thermocouple connection</u> Polarity error at the connection of thermocouple of control circuit 1. The thermocouple seem's to be connected with wrong polarity. Please check the wiring of your thermocouple!
Note: If you confirm by pressing key menu after fault report thermocouple damaged or polarity error the DP3/DP5 automatically switches into percentage control mode. If you are able to solve the problem the fault before confirming with key menu the controller remains in thermocouple control mode.	
Err. tH.1	<u>Thermocouple short circuit</u> A short circuit in control circuit 1 has occurred. This fault can be detected after a period of min. 90 sec.. Please check the wiring of your thermocouple!
t.Hi Ch1	<u>Over temperature</u> The temperature of control circuit 1 crosses the security mark. The max. allowed temperature can be set as systemparameter and is standardly set to 500°.
Err. Temp	<u>Ambient temperature above limit</u> The unit detected an ambient temperature of above 70°C.

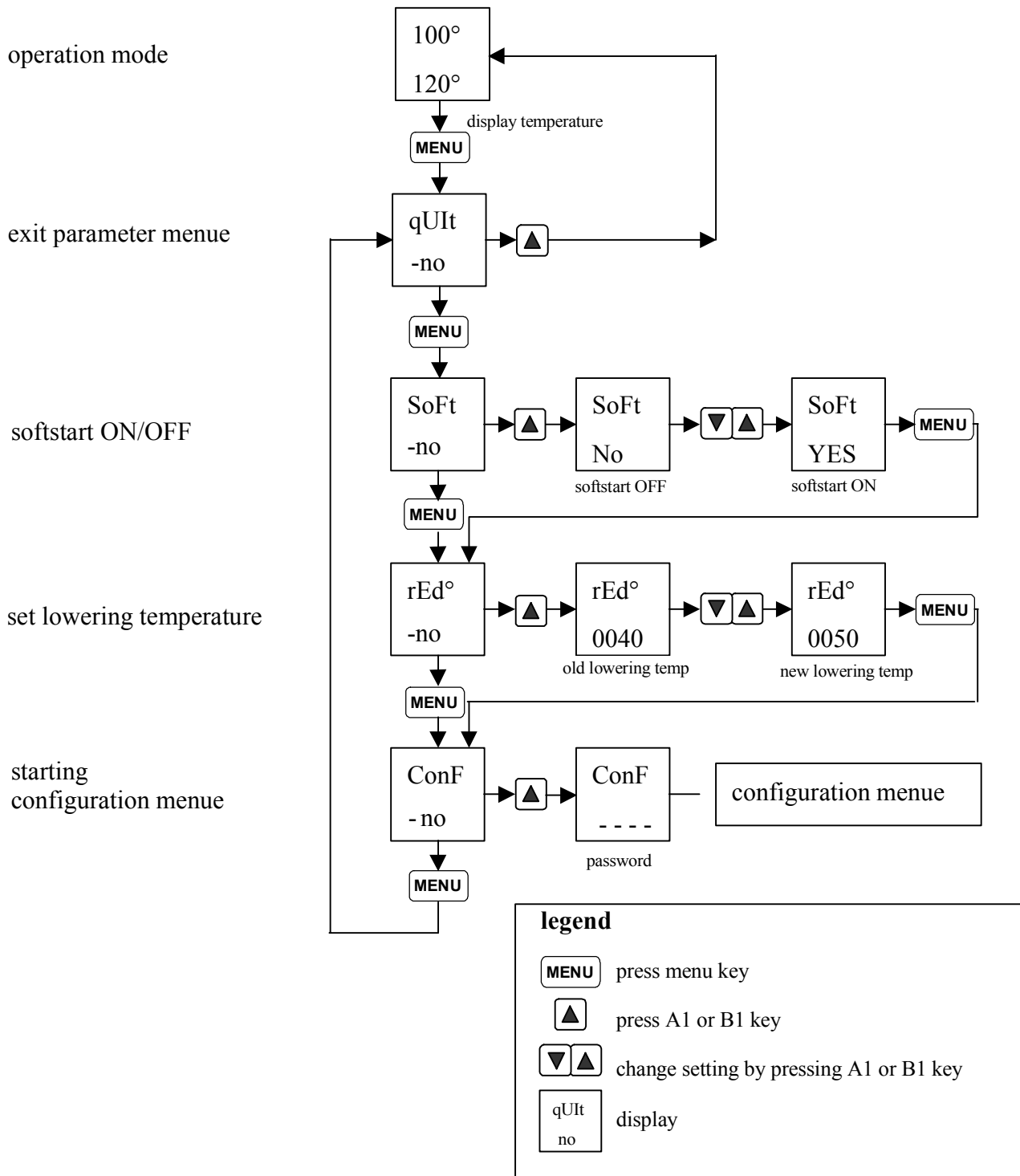
3. Parameter setting

The operation of the controller depends on the setting of the parameters. For easy access, the most important parameters are displayed on a menu. The parameter menu is divided into a user menu and a configuration menu, the access to which is restricted by a password. In the user menu only non-critical system parameters can be changed.

Caution:

The access to configuration data is protected by a password. The configuration should only be changed by authorised and qualified personnel. Inexpert configuration may cause damage of the hot runner system. The person who sets unit into operation is responsible for correct configuration of the controller.

3.1 Flow chart of parameter menu

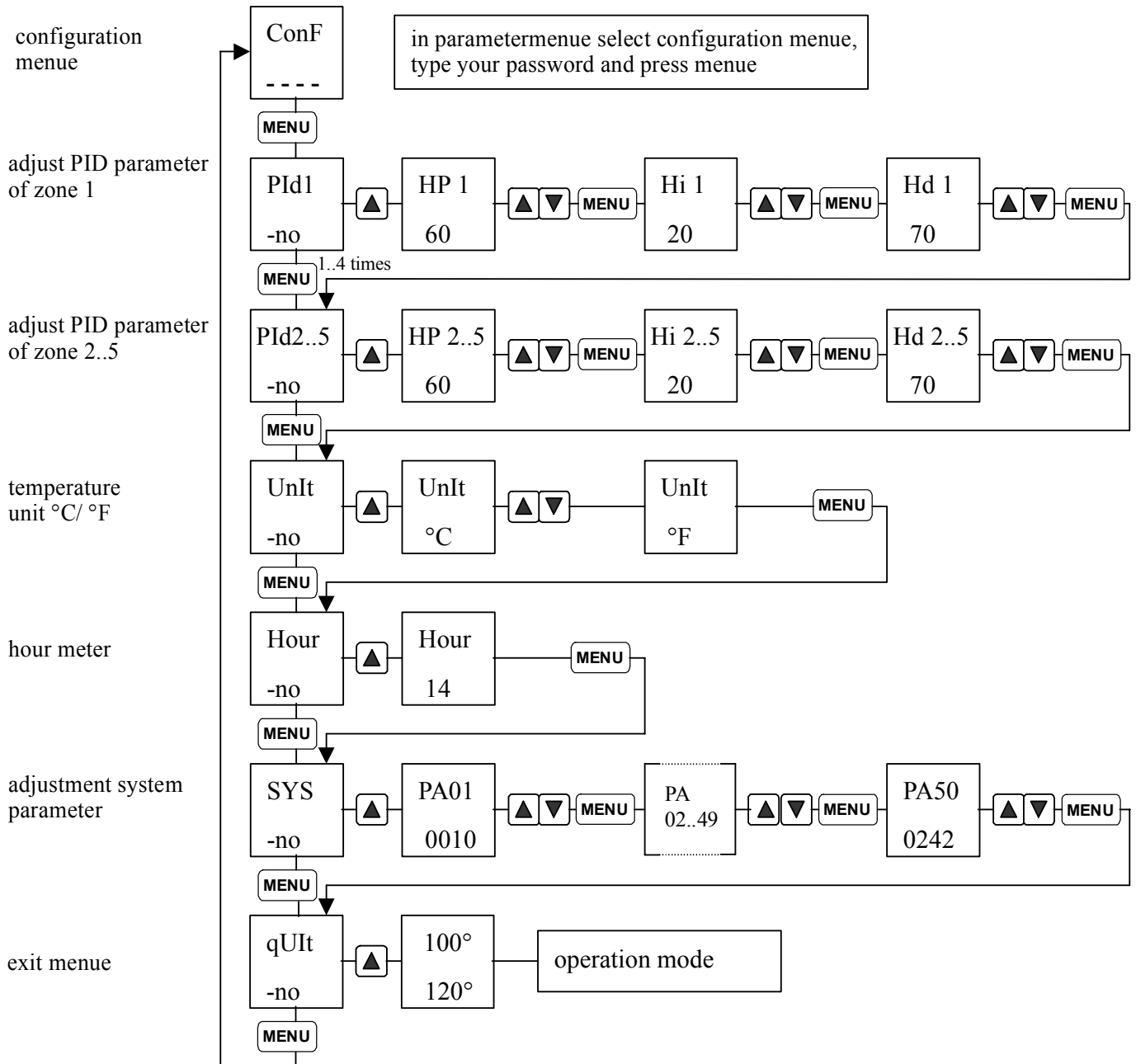


You enter the parameter menu by pressing key **F**. Each further use of this key F leads you to the next menu item. With keys A1 or B1 you can activate each menu item. The display then switches from **no** to **YES**.

For information on the configuration menu please refer to chapter 3.3.

<u>display</u>	<u>meaning</u>
qUlt	<u>exit menu</u> You can quit the parameter menu by selecting quit. Press key A1 or B1 if you want to return to the normal operating level. You automatically quit the parametermenu, if for approx. 10 seconds no key is pressed.
SoFt	<u>softstart</u> You can select the softstart function for 230V nozzles by entering the menu SOFT. Here you can enable or disable the softstart function.
rEd° rEdA	<u>set value lowering</u> The menu item ‚set value lowering‘ („rEd.°“ or „rEd.A“) enables you to set the lowering temperature or the lowering current. This function ‚set value lowering‘ is switched by the pressing the keys A1 and F simultaneously.
ConF	<u>configuration menu</u> The menu item ‚configuration menu‘ („CONF.“) enables you to enter the configuration menu. This menu is protected by a password. Please refer to the chapter 3.3

3.2 Flow chart of configuration menu



In the configuration menu, the system parameters of controller DP3/DP5 can be set. Besides the various items for frequently used parameters, the item ‚system‘ is therefore protected by an additional password. Changes of system parameters must be carried out by authorised and qualified personnel.

<u>display</u>	<u>meaning</u>
ConF -----	<p><u>configuration menu</u></p> <p>You find the configuration menu in the parameter menu item (‚CONF.‘). To start the configuration menu you must enter the password. You have to enter the digits of the passwords starting right by pressing A1 or B1. Enter by pressing the F key.</p>
Pid1..5	<p><u>PID parameters</u></p> <p>Item PID_ allows to change the PID regulation parameters for each zone manually. At the five zone controller DP5 there are five menu items to select the PID parameters each zone.</p>
UnIt	<p><u>temperature unit</u></p> <p>In the menu item temperature unit you can choose between °C (Celsius) and °F (Fahrenheit).</p>
Hour	<p><u>counter operating time</u></p> <p>In the menu item hour you can find the number of operating hours.</p>
SYS	<p><u>system parameters</u></p> <p>The system parameters of the DP3/DP5 can be changed after entering the menu item ‚sys‘. The menu is protected by a password and enables you to set and change all system parameters. Changes of the system parameters should only be carried out by authorised and qualified personnel.</p> <p>You can load the standard default values as described in chapter 2.5, if your configuration of the system parameters proves inadequate or faulty.</p>
qUlt	<p><u>exit menu</u></p> <p>You can quit the parameter menu by selecting quit. Press key A1 or B1 if you want to return to the normal operating level. You automatically quit the parametermenu, if for approx. 10 seconds no key is pressed.</p>

4. further functions

4.1 Start up procedure

With 230V loads connected to a system, a softstart is necessary in order to remove the moisture from the thermoelectric couples. During the first phase of the softstart, the set value n per cent is increased from 0 to 50%. The ramp time is adjustable – any adjustment must guarantee that at the end of the ramp a temperature of 105°C will be reached. During the hold time following this procedure, the DP3/DP5 sets the temperature to 105°C independent of the set value selected. During the hold time, the nozzles are dried out adequately, while keeping the thermic load as low as possible. The system performs the start-up procedure automatically after the control unit is switched on. The unit switches into normal operating condition immediately after the hold time.

4.2 Starting ramp

If you wish to heat up a cool zone, it is highly recommended that you do not use the max. power for reaching the desired operating temperature. The DP3/DP5 limitates the power output at the initial start-up and afterwards increases it to 100% over four steps, in order to keep the thermic stress as low as possible. After approx. 60 seconds the max. heating capacity is available.

4.3 Temperature lowering

During any long-term production halt it is advisable to lower the temperature of the zones. It is not necessary to adjust the temperature for each regulation zone – you can control the temperature of all zones simultaneously by pressing a lowering-hotkey . If you press the value lowering key °C↓, the set temperatures of all zones is lowered by a preset value. You can cancel the lowering by pressing the lowering key again.

4.4 Switching power control

The above mentioned phase control mechanism for continuous output control is provided specifically for hot runner nozzles. For the operation of 230V-heater circuits with very high output, the DP3/DP5 provides the Switching Power Control. The switching power control triggers a solid state relay. This way the 230V-heater circuits with just about any load can be controlled.

The Switching Power Control ensures that the desired output will practically continuously be activated. It's main advantage over a traditional controller is an improvement of heating capacity, and thus better control qualities.

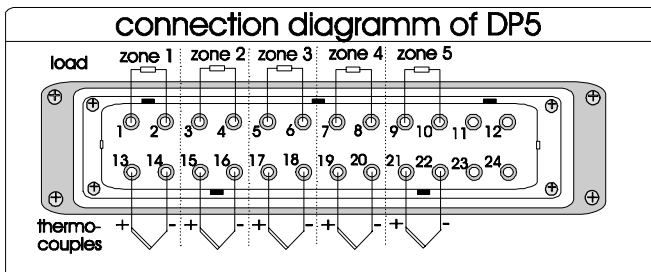
4.5 Counter operating time

The operating time of the DP3/DP5 is internally saved with resolution of 1 minute and may be read via the parameter menu.

operating time < 10 hours	display: hours.min
operating time ≥ 10 hours	display: hours

5. Connection of control circuits

On the rear of control unit a load connection plug is positioned. On this modular plug, up to 2 load connection modules can be assembled, depending on the version (DP1 or DP2). Each 230V-load circuit will be connected using these solid 20A-contacts. Refer to fig. 3.2 for information about the assignment of the connection points to the corresponding modules.



zone	1	2	3	4	5
load 1 (phase)	1	3	5	7	9
load 2 (neutral)	2	4	6	8	10
thermo +	13	15	17	19	21
thermo -	14	16	18	20	22

6. Installation and start-up

a) Installation

- Please position the unit where not heat accumulation will occur.
- Ensure that the sockets are sufficiently for connecting.
The DP1 and DP2 needs a 16A-Schuko mains plug
- The load fuse may not exceed 16A.

b) Start-up

- To connect the heating circuit and thermocouples, plug in load connectors.
- Plug in mains plug for power supply.
- Press power switch.
- Set the desired set temperatures of all zones.
- During initial start-up you should activate each control point separately so that possible faulty connection of either load or thermoelectric couple may be detected.
- After switching on the control unit, please wait for a few minutes until all tools are heated up evenly.

7. Table of faults and defects

During the course of the operation, the DP3/DP5 is continually checking the control circuit for faults and defects. Any fault/defect detected is indicated on the display.

		Fault/Defect	Possible Cause	Countermeasure
A	Fault report "no sensor 1"	Thermocouple of zone 1 or 3 defect	Thermocouple is not connected or interrupted	Check connection plug and -cable of thermoelectric couple
B	Fault report "no sensor 2"	Thermocouple of zone 2 or 4 defect	Thermocouple is not connected or interrupted	Check connection plug and -cable of thermoelectric couple
C	Fault report "Pol. TH 1"	Polarity error at thermocouple of zone 1 or 3	Polarity error at the thermo couple	Correct the polarity
D	Fault report "Pol. TH 2"	Polarity error at thermocouple of zone 1 or 3	Polarity error at the thermo couple	Correct the polarity
E	Significant fluctuation of temperature (+/- 100 °C)		Thermocouple defect or load circuit not earthed	Check earthing of load circuit
F	Temperature increase not satisfactory		Load circuit (swapped)	Check assignment of heater circuit to thermoelectric couple

Caution:

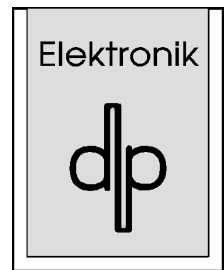
With 230V-runners the heater circuits must be earthed sufficiently. Lack of earthing or insufficiently earthed tool/heating element may cause several errors in the temperature reading.

Note:

During initial start-up the **assignment of the zones** must be checked. For that purpose you should heat up the control circuits **one by one** and monitor the temperature rise.

8. Specifications

Nominal Voltage:	220V – 240V AC, 50/60Hz
Nominal Capacity DP3/5:	3500 W, 1 x 16A
Stand-by Capacity :	approx. 10 VA
Load Connection DP3:	2 x heater circuit 230V / 10A (zone 1-2) 1 x heater circuit 230V / 16A (zone 3) amphenol modular connector series C146...
Load Connection DP5:	4 x heater circuit 230V / 10A (zone 1-4) 1 x heater circuit 230V / 16A (zone 5) amphenol modular connector series C146...
Mains Plug DP3/DP5:	3m, 16A-plug
Thermocouple Connection:	thermoelectric couple type L (FeCuNi), amphenol modular connector series C146...
Fuses:	FF 16A, 6,3 x 32mm, type Schurter Typ SA; superfast for triacs FF 10A, 6,3 x 32mm, type Schurter Type SA; superfast for triacs
Regulation:	"Pulsgruppensteuerung" (switching power control)
Storage Temperature:	up to 70°C
Operating Temperature:	up to 35°C
Protection Type:	IP 20
Dimensions (W, H, D):	259mm x 95mm x 290mm
Colour:	grey and blue (RAL 9018 and RAL 5015)



9. Appendix: EG- declaration of conformity

For the following below listed products:

GÜNTHER-Hot Runner Controller DP3 and DP5

we hereby confirm, that above listed products comply to all important (*) safety requirements that have been declared by the Council of Assimilation of Legal Regulations by the EC membership countries concerning electromagnetic conformity (89/336/EWG).

To verify these products to electromagnetic conformity the following standards were referred to:

EN 50081, Part 2

EN 50082, Part 2

The above mentioned products also comply to:

DIN EN 61010, part 1/03.94.

This declaration applies to all above listed products with the following production index:

Production Index A

The production index is the number behind the serial number on the identification label of the product. The identification label is located on the right side of the product.

DAVIDSMEYER & PAUL GmbH Elektronik

Technologiezentrum

Karl-Heinz-Beckurts-Str.13

D-52428 Jülich

Jülich, 01.09.2000

**J. Marquardt
(Managing Director)**

(*) Expressions recommended by "EMV-Rechtsvorschriften und ihre Anwendung in der Praxis", Franzis-Verlag, 1993

10. Adresses

(HEADQUARTER)

GÜNTHER Heisskanaltechnik GmbH

Industriegebiet Nord
Sachsenberger Straße 1
D-35066 Frankenberg (Eder)

Germany

Phone	(++ 49) 64 51 50 08 0
Fax	(++ 49) 64 51 50 08 50
E-mail	info@guenther-heisskanal.de
Internet	www.guenther-hotrunner.com

Germany

GÜNTHER Heisskanaltechnik GmbH
Mr. Spork
Sachsenberger Str. 1
D-35066 Frankenberg

Phone / Fax / E-mail

Phone	(++ 49) 01 73 8 67 83 35
Fax	(++ 49) 64 51 50 08 59
E-mail	spork@guenther-heisskanal.de

GÜNTHER Heisskanaltechnik GmbH
Mr. Stamm
Sachsenberger Str. 1
D-35066 Frankenberg

Phone	(++ 49) 01 72 9 41 12 26
Fax	(++ 49) 64 51 50 08 59
E-mail	stamm@guenther-heisskanal.de

Verkaufsbüro Baden-Württemberg Nord
Mr. Fritz
Zedernstr. 23
D-64653 Lorsch

Phone	(++ 49) 62 51 55 03 82
Fax	(++ 49) 62 51 55 03 83
E-mail	fritz@guenther-heisskanal.de

Verkaufsbüro Baden-Württemberg Mitte
Mr. Rasi
Sonnenweg 4
D-74372 Sersheim

Phone	(++ 49) 70 42 37 48 48
Fax	(++ 49) 70 42 37 48 49
E-mail	rasi@guenther-heisskanal.de

Verkaufsbüro Baden-Württemberg Süd
Mr. Waizmann
Mühlenstraße 21
D-79367 Weisweil

Phone	(++ 49) 76 46 91 54 90
Fax	(++ 49) 76 46 91 54 91
E-mail	waizmann@guenther-heisskanal.de

WESCHU
Mr. Grajer
Edisonstr. 81

D-90431 Nürnberg

Phone	(++ 49) 911 96 12 30 0
Fax	(++ 49) 911 96 12 30 50
E-mail	thomas.grajer@weschu.de

Industrievertretungen
Mr. Römhild
Thomas-Mann-Str. 4
D-98597 Breitungen

Phone	(++ 49) 36 84 88 68 0
Fax	(++ 49) 36 84 88 68 22
E-mail	roemhild-IV@gmx.de

Verkaufsbüro Nord
Herr Dierks
Mittelfeldweg 19a
D-27607 Langen

Phone	(++ 49) 47 43 91 29 90
Fax	(++ 49) 47 43 91 29 91
E-mail	dierks@guenther-heisskanal.de

Worldwide

GÜNTHER France S.A.
Mr. Demicheli
6 rue Jules Verne
F-95320 Saint Leu La Foret

GÜNTHER U.K.
Mr. Heendeniya
52 Lambardes, New Ash Green
GB-Longfield Kent DA3 8HU

Trader Ingman Oy
Mr. Ingman
Strömsintie 23 A 1
FIN-00930 Helsinki

GÜNTHER Hot Runner Systems Inc.
Mr. Vander Noot
725 Hastings Lane
USA-Buffalo Grove, Illinois 60089

Federal Technology Corp.
Mr. Yun
6F, No. 74 FU Shiang St.,
Chyan-Jenn Dist.
Kaohsiung 806
Taiwan R.O.C.

Su-Pad Ltd.
Mr. Sadeh
2, Hamelacha Street
New Industrial Zone
IL-Rosh-Ha' Ayn 48091

Dipl.-Ing. Petr Sochor
Ve Vilkách 1849
CZ-347 01 Tachov

GÜNTHER S.C.
Mr. Olszowski
ul. Poznańska 14 m 33
PL-00-680 Warszawa

Dipl.-Ing. H. Günther Ges.m.b.H.
Mr. Feik
Speichmühlgasse 1
A-2380 Perchtoldsdorf

Basler Trade KFT
Mr. Zastrow
Postbox 25
H-1581 Budapest

P.E.P. Plastics GmbH
Mr. Elmer
Wülflingerstrasse 59, P.O.Box 21
CH-8407 Winterthur

Phone / Fax / E-mail

Phone (++ 33) 1 39 32 03 04
Fax (++ 33) 1 39 32 03 05
E-mail m_demicheli@gunther-france.com

Phone (++ 44) 14 74 87 97 74
Fax (++ 44) 14 74 87 30 63
E-mail info@gunther.co.uk

Phone (++ 358) 93 44 55 44
Fax (++ 358) 93 43 40 52 0
E-mail jukka@tradingman.fi

Phone (++ 1) 84 72 15 78 74
Fax (++ 1) 84 72 15 78 05
E-mail info@ghrsi.com

Phone (++ 886) 7-72 10 17 1
Fax (++ 886) 7-75 12 27 0
E-mail federal.khh@msa.hinet.net

Phone (++ 972) 3 90 23 90 2
Fax (++ 972) 3 90 23 90 3
E-mail supadltd@netvision.net.il

Phone (++ 42 0) 1 84 72 39 66
Fax (++ 42 0) 1 84 72 39 66
E-mail guenther.trysky-sochor@iol.cz

Phone (++ 48) 22 62 25 22 8
Fax (++ 48) 22 62 97 77 4
E-mail guenther@pro.onet.pl

Phone (++ 43) 1 86 94 76 4
Fax (++ 43) 1 86 94 76 47
E-mail guenther@kabsi.at

Phone (++ 36) 12 39 05 17
Fax (++ 36) 12 39 05 17
E-mail baslertrade@mail.datanet.hu

Phone (++41) 52 222 72 26
Fax (++41) 52 222 07 24
E-Mail martin-elmer@bluewin.ch

Worldwide

Phone / Fax / E-mail

Grupo Zoica
Eduardo Campos Madrigal
S.A. de V. C. Sadi Carnot No. 77
Col. San Rafael

Phone (+ + 52) 55 46 40 14
Fax (+ + 52) 55 66 61 62
E-mail gpozoica@avantel.net

MEX-D. F. 06470 Delg. Cuauhtemco

Center Plast
Mr. Gonzalez-Palacio
C/ Sant Gabriel, 17 Lo. 3

Phone (+ + 34) 93 47 37 71 3
Fax (+ + 34) 93 49 90 43 8
E-mail centerplast@airtel.net

E- 08950 Esplugues de Liob.

Technisches Büro Bäcker
Mr. Bäcker
Pieter Liefstinckweg 20

Phone (+ + 31) 75 68 18 00 0
Fax (+ + 31) 75 68 18 00 1
E-mail t.b.backer@wxs.nl

NL-1505 HX Zaandam

Battenfeld Hong Kong Ltd.
Mr. Pechtl
2Fl. No.18 Dai Fat Street
Tai Po Industrial Estate

Phone (+ + 852) 26 66 91 40
Fax (+ + 852) 26 65 25 26
E-mail bathk@hk.super.net

Hong Kong-N.T. Tai Po

Millutensil SRL
Mrs. Just Oselieri
Corso Buenos Aires 92

Phone (+ + 39) 02 29 40 43 90
Fax (+ + 39) 02 20 46 67 7
E-mail millut@tin.it

I-20124 Milano

Brale Ltda.
Mr. Holdschmidt
Rua Joao de Barro, 52

Phone (+ + 55) 41 66 82 59 5
Fax (+ + 55) 41 66 82 59 5
E-mail brale@brale.com.br

BR-83326-470 Pinhais-PR

DUMIS Mlaka d.o.o.
Mr. Urana
Oretnekova pot 9

Phone (+ + 386) 42 74 10 00
Fax (+ + 386) 42 74 10 01
E-mail dumis@siol.net

SL-4000 Kranj

HH Plastkombi aps
Mr. Hansen
Østergade 24 D

Phone (+ + 45) 48 79 98 88
Fax (+ + 45) 48 79 80 16
E-mail mail@hh-plastkombi.dk

DK-3200 Helsingør

DELPLACE. Ltd
Marc Delplace B. Sc.Eng.
6061 Thimens Boulevard
CAN-St-Laurent, QC H4S 1V8

Phone (+ + 1) 51 44 85 77 80
Fax (+ + 1) 51 44 85 11 28
E-mail marc.delplace@qc.aibn.com